



Topper Screen and Gasket Installation Instructions

TOPPER SCREEN & GASKET INSTALLATION

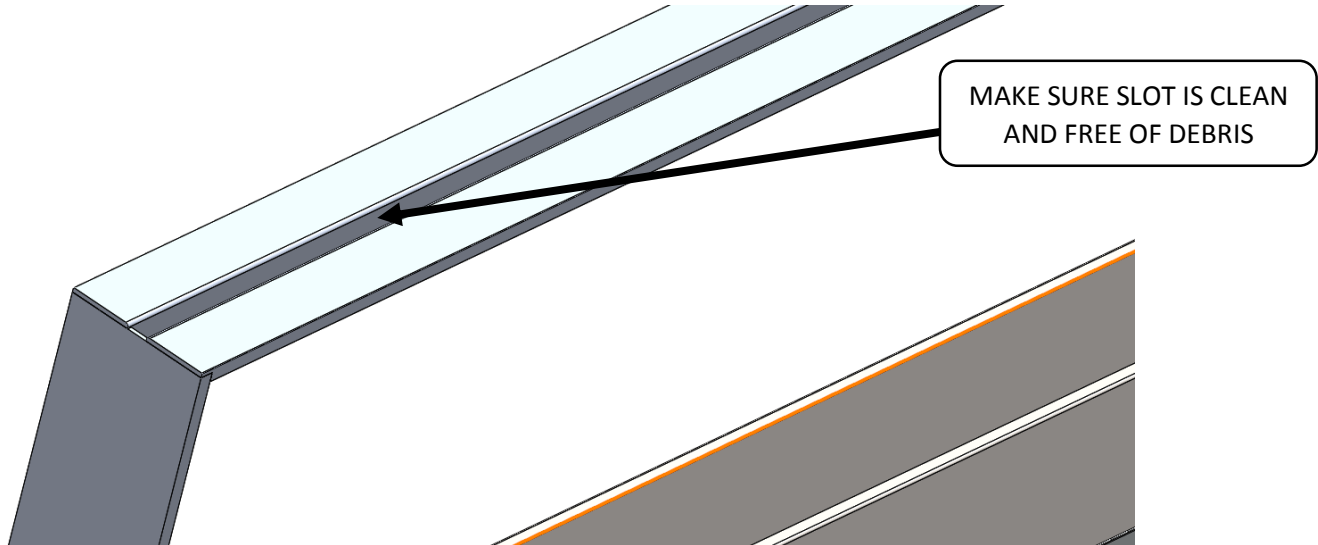
TOOLS & HARDWARE REQUIRED:



- SPRAY BOTTLE WITH SLIGHTLY SOAPY WATER SOLUTION
- GLOVES IF INSTALLING GLASS TOPPER SCREENS
- DRY SOFT CLOTH TO WIPE UP EXCESS SOAPY WATER
- TWO PEOPLE ARE NEEDED IF INSTALLING GLASS TOPPER SCREENS

STEP 1:

Topper Screens are installed after the Grid workstations are otherwise fully assembled. Make sure all fasteners are tight and the Top Cap slot is free of debris.



STEP 2:

Insert the Topper Screen into the grey gasket, assuring the Topper Screen is centered in the gasket. If the Topper Screen is glass, two people are required for this step.

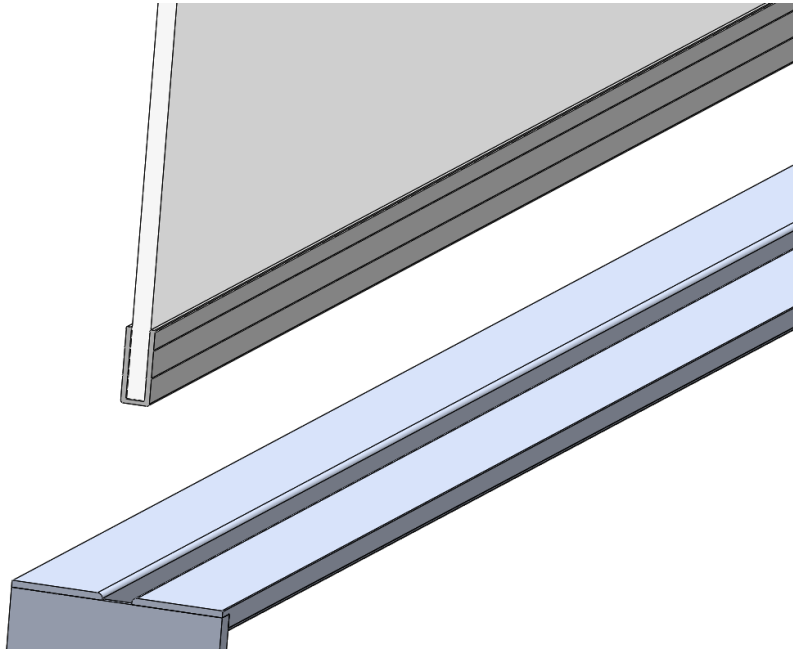
STEP 3:

Spray or wipe the slightly soapy water solution all along the Top Cap slot. Use just enough that the surface is damp without any puddles.

STEP 4:

Center the Topper Screen/gasket assembly end-to-end on the Grid Frame. Carefully push down until the Topper Screen assembly is fully seated into the Top Cap slot.

Note: If correctly installed, the Topper Screen will be level and the top of the gasket will be just below the surface of the Top Cap.

**STEP 5:**

Wipe any excess soapy water from the Top Cap and Topper Screen.