



Overhead Storage Assembly Procedure

STEP1:

ATTACH THE SUPPORT BRACKETS TO THE GRID FRAME (4) SCREWS AND (4) NUTS AS SHOWN (Figure 1). ATTACH (4) SUPPORT BRACKETS AS INDICATED BUT DO NOT COMPLETELY TIGHTEN FASTENERS (SEE Figure 2)

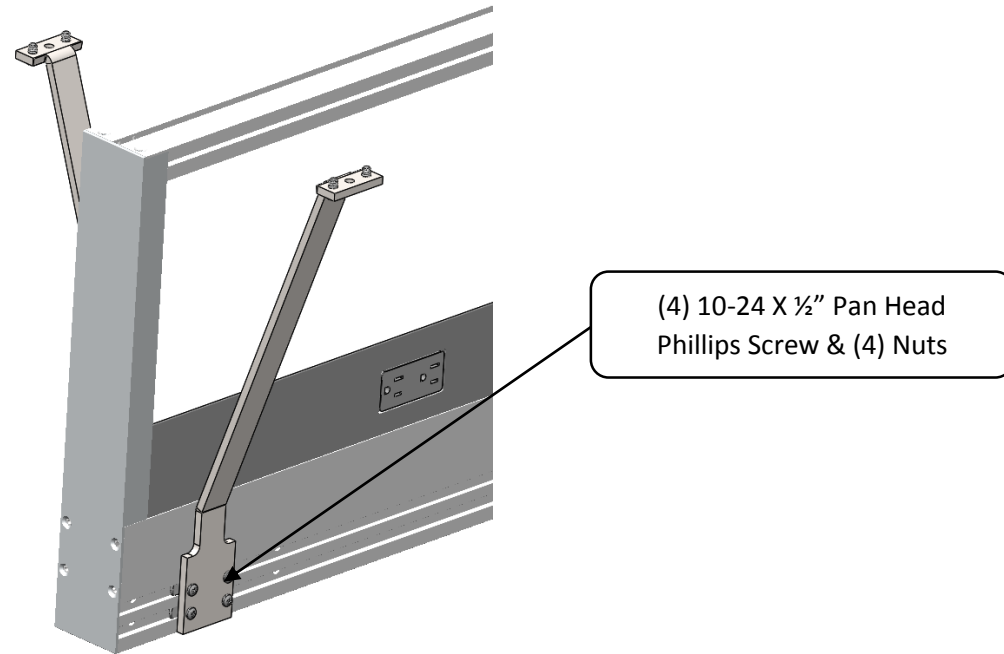


Figure 1

STEP 2:

CENTER OVERHEAD CABINET ON GRID FRAME, OVERHEAD CABINET SHOULD BE RESTING ON THE GRID FRAME AS INDICATED IN FIGURE 2. INSTALL (8) ¼-20 X ½" PAN HEAD PHILLIPS HEAD SCREWS TO SECURE CABINET TO SUPPORT BRACKETS. TIGHTEN SECURELY.

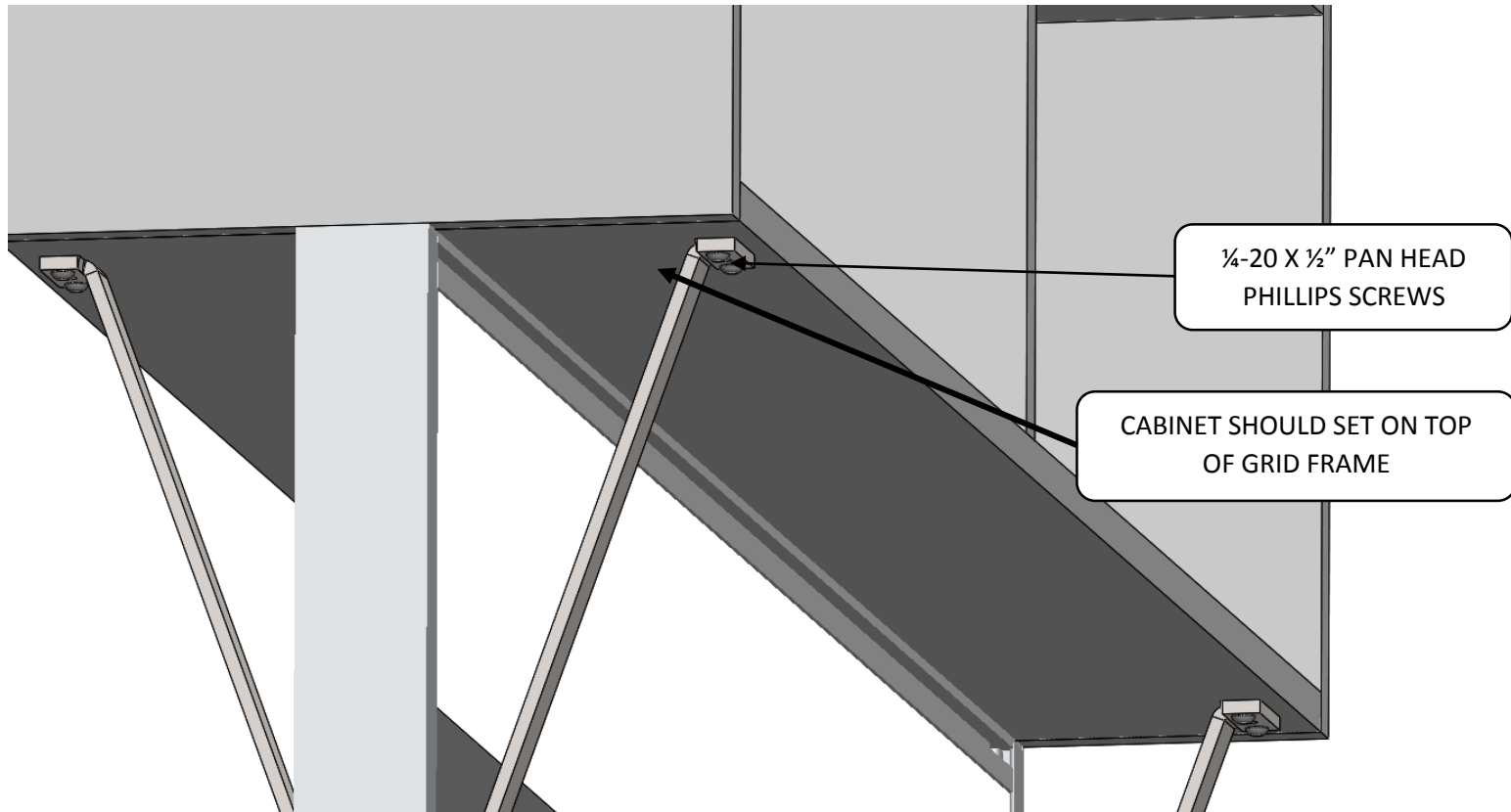


Figure 2

STEP 3:

MAKE SURE SUPPORT BRACKET LOWER MOUNTING PLATES ARE POSITIONED WITH THE FASTENERS AND NUTS IN THE SLOTS AS INDICATED, (See Figure 3) TIGHTEN FASTENERS SECURELY.

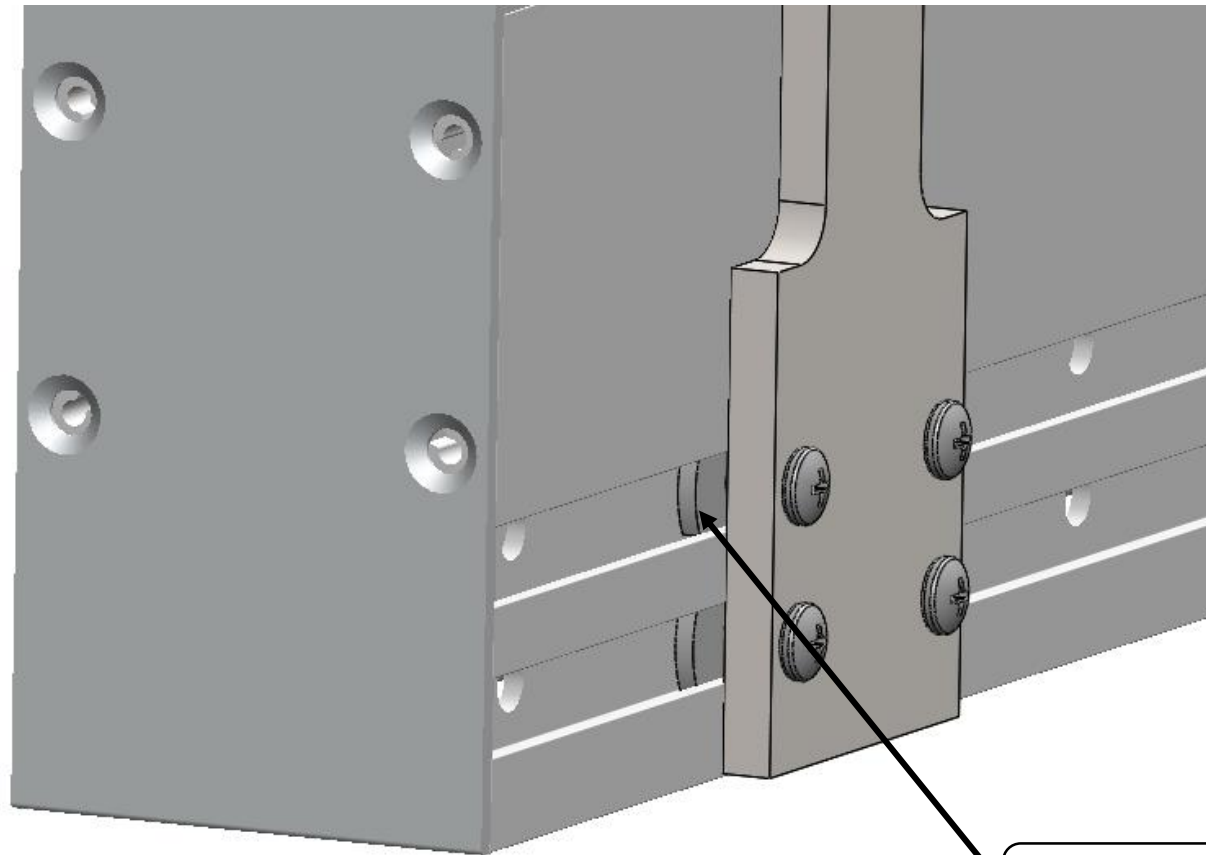


Figure 3

NUTS TO BE POSITIONED
INSIDE SLOT AS SHOWN