



Grid Powerpole Installation Instructions

TPB



Wiremold

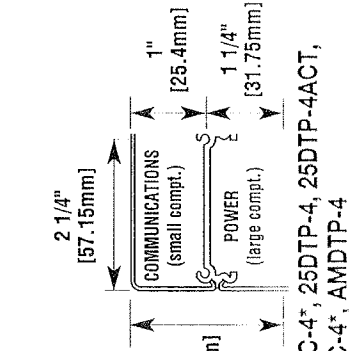
25DTC/AMTC & 25DTP/AMTP Series Tele-Power® Poles

INSTALLATION INSTRUCTIONS

Installation Instruction No. 41573R3 - Updated March 2012

Legrand/Wiremold electrical systems conform to and should be properly grounded in compliance with requirements of the current National Electrical Code or codes administered by local authorities.

All electrical products may present a possible shock or fire hazard if improperly installed or used. Legrand/Wiremold electrical products may bear the mark of a Nationally Recognized Testing Laboratory (NRTL) and should be installed in conformance with current local and/or the National Electrical Code.



25DTP-4
AMDC-4*
AMTC-4*

Cable Type	Cable Wire/Size Description	O.D. (inches)	25DTP Series				AMTC & 25DTC Series*	
			40% FILL	20% FILL	40% FILL	20% FILL	Small Compl. 40% FILL	Large Compl. 40% FILL
THIN-TWNN	10 AWG	0.16	10	10	10	10	34	44
	12 AWG	0.13	15	15	15	15	54	69

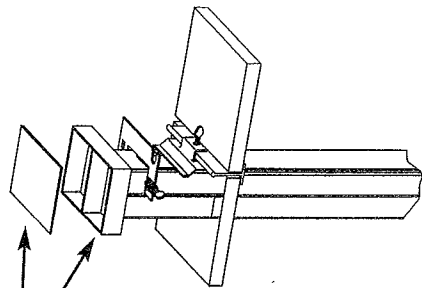
RACEWAY WIRE AND CABLE FILL CAPACITIES FOR TELE-POWER POLES - POWER

Cable Type	Cable Wire/Size Description	O.D. (inches)	25DTP Series				AMTC & 25DTC Series*	
			40% FILL	20% FILL	40% FILL	20% FILL	Small Compl. 40% FILL	Large Compl. 40% FILL
Unshielded	Cat. 5 UTP	0.22	5	5	5	5	13	26
Twisted Pair	Cat. 3 UTP	0.19	4	4	4	4	10	17
Telephone	2 Pair	0.14	3	3	3	3	7	14
	3 Pair	0.15	3	3	3	3	7	14
	4 Pair	0.19	4	4	4	4	10	17
	25 Pair	0.41	10	10	10	10	21	42
C coaxial	RG58U	0.20	4	4	4	4	10	17
	RG59U	0.24	5	5	5	5	13	26
	RG62U	0.24	5	5	5	5	13	26
	RG8U	0.27	6	6	6	6	15	30
Twisted Pair	100 Ohm	0.33	8	8	8	8	20	40
Shielded	Type 1 STP	0.39	9	9	9	9	23	46
Twisted Pair	Type 2 STP	0.47	11	11	11	11	28	56
	Type 3 STP	0.25	6	6	6	6	15	30
Fiber optic	Fiber ZircCard	0.11	2	2	2	2	5	10
	Round Fiber 2 Strand	0.16	3	3	3	3	8	16
	Round Fiber 4 Strand	0.19	4	4	4	4	10	20
	Round Fiber 6 Strand	0.21	5	5	5	5	13	26

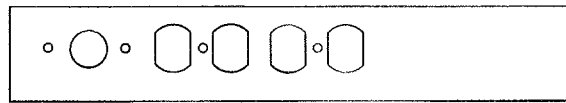
RACEWAY WIRE AND CABLE FILL CAPACITIES FOR TELE-POWER POLES - COMMUNICATIONS

Cable Type	Cable Wire/Size Description	O.D. (inches)	25DTP Series				AMTC & 25DTC Series*	
			40% FILL	20% FILL	40% FILL	20% FILL	Small Compl. 40% FILL	Large Compl. 40% FILL
Unshielded	Cat. 5 UTP	0.22	5	5	5	5	13	26
Twisted Pair	Cat. 3 UTP	0.19	4	4	4	4	10	17
Telephone	2 Pair	0.14	3	3	3	3	7	14
	3 Pair	0.15	3	3	3	3	7	14
	4 Pair	0.19	4	4	4	4	10	17
	25 Pair	0.41	10	10	10	10	21	42
C coaxial	RG58U	0.20	4	4	4	4	10	17
	RG59U	0.24	5	5	5	5	13	26
	RG62U	0.24	5	5	5	5	13	26
	RG8U	0.27	6	6	6	6	15	30
Twisted Pair	100 Ohm	0.33	8	8	8	8	20	40
Shielded	Type 1 STP	0.39	9	9	9	9	23	46
Twisted Pair	Type 2 STP	0.47	11	11	11	11	28	56
	Type 3 STP	0.25	6	6	6	6	15	30
Fiber optic	Fiber ZircCard	0.11	2	2	2	2	5	10
	Round Fiber 2 Strand	0.16	3	3	3	3	8	16
	Round Fiber 4 Strand	0.19	4	4	4	4	10	20
	Round Fiber 6 Strand	0.21	5	5	5	5	13	26

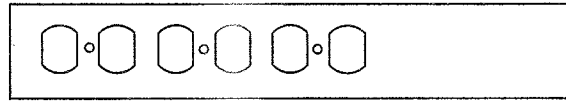
* 25DTC/AMTC Series not intended for combining power and communications in the same channel.



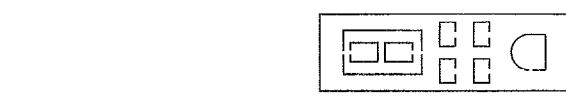
AMDC-4*
AMTC-4*



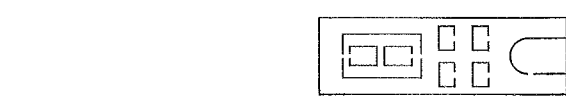
AMDC-4*
AMTC-4*



AMDC-4*
AMTC-4*



AMDC-4*
AMTC-4*



AMDC-4*
AMTC-4*



Wiremold

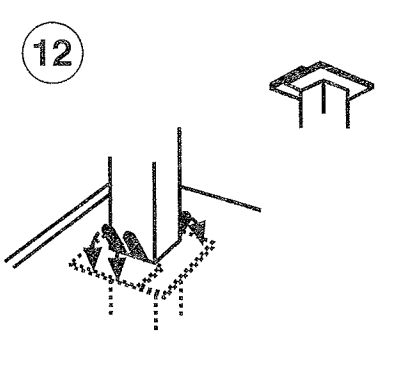
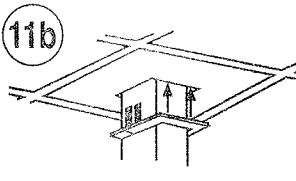
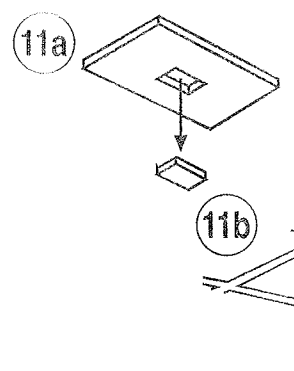
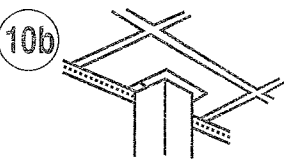
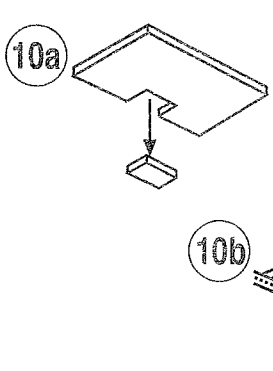
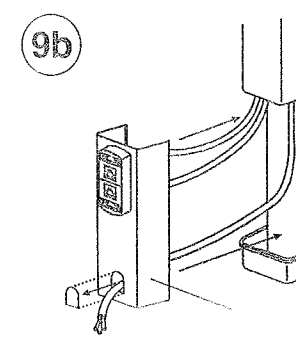
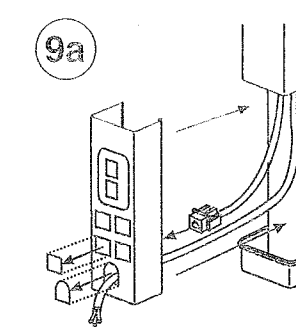
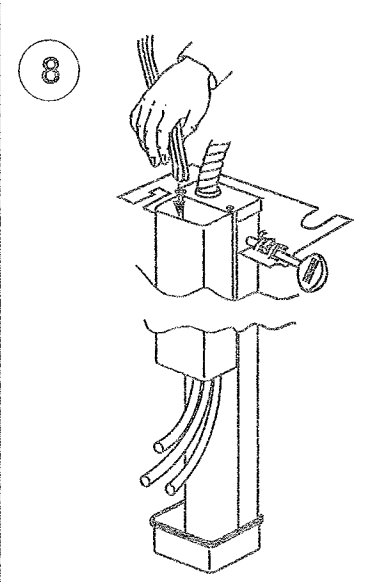
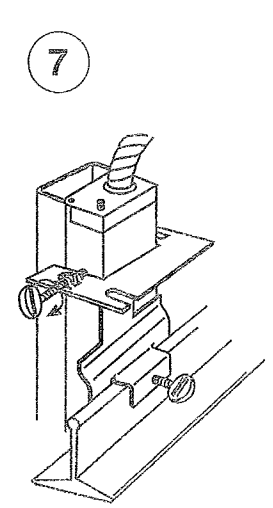
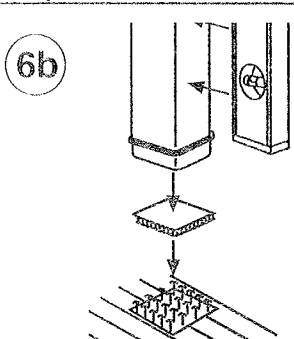
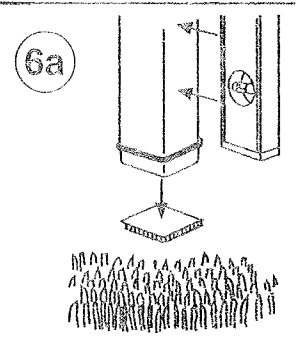
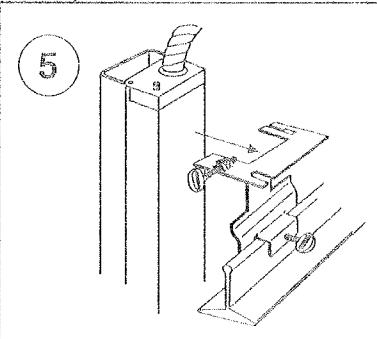
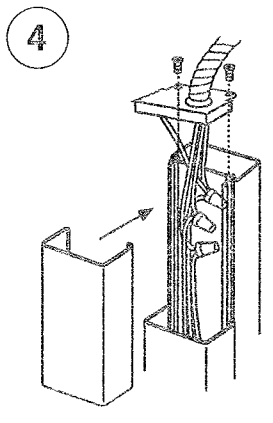
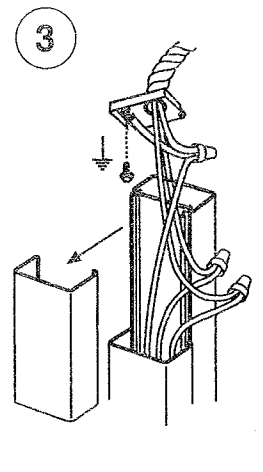
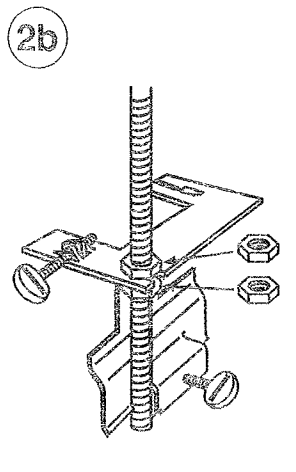
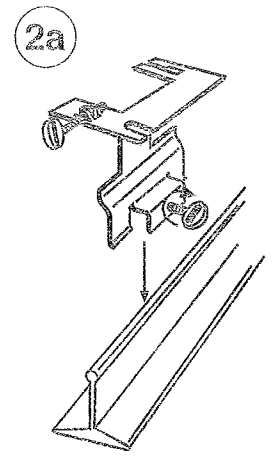
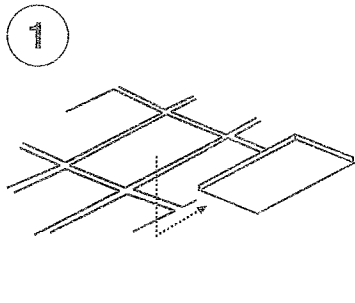
WIREMOLD

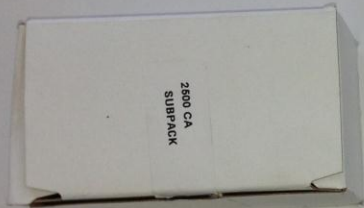
U.S. and International:

60 Woodlawn Street • West Hartford, CT 06110
1-800-621-0049 • FAX 860-232-2062 • Outside U.S.: 860-233-6251

Canada:

570 Applewood Crescent • Vaughan, Ontario L4K 4B4
1-800-723-5175 • FAX 905-738-9721





legrand
Wiremold

250TC/AMTC & 250TP/AMTP
Series Tele-Power Poles
INSTALLATION INSTRUCTIONS

Maximum Wire Pole Cable Size Chart (see chart for full size)

Cable Size (Nominal)	Cable Wire Size (AWG)	AWG	Max. Length (ft.)
10 AWG	10 AWG	10	40
12 AWG	12 AWG	12	30

Maximum Wire Pole Cable Length Chart (see chart for full size)

Cable Size (Nominal)	Cable Wire Size (AWG)	AWG	Max. Length (ft.)
10 AWG	10 AWG	10	40
12 AWG	12 AWG	12	30

* 250TC/AMTC Series not intended for signaling power and/or