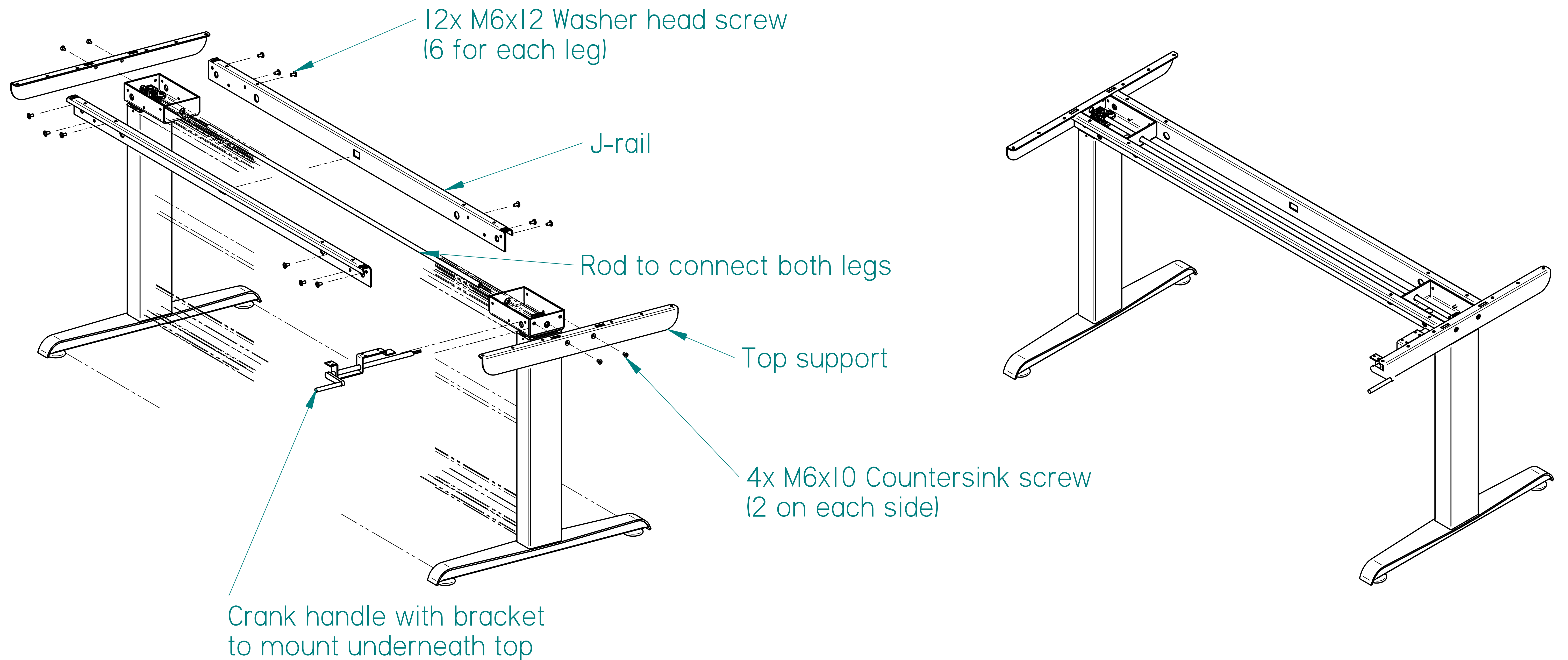




Impression Crank Base Installation Instructions

CRANK TABLE ASSEMBLY INSTRUCTION



Steps:

1. Connect both legs (spindles) with rod
2. Mount J-rails to legs
3. Mount Top supports to legs
4. Stick crank handle into column until it bottoms out
5. Mount base to top by using all mounting holes