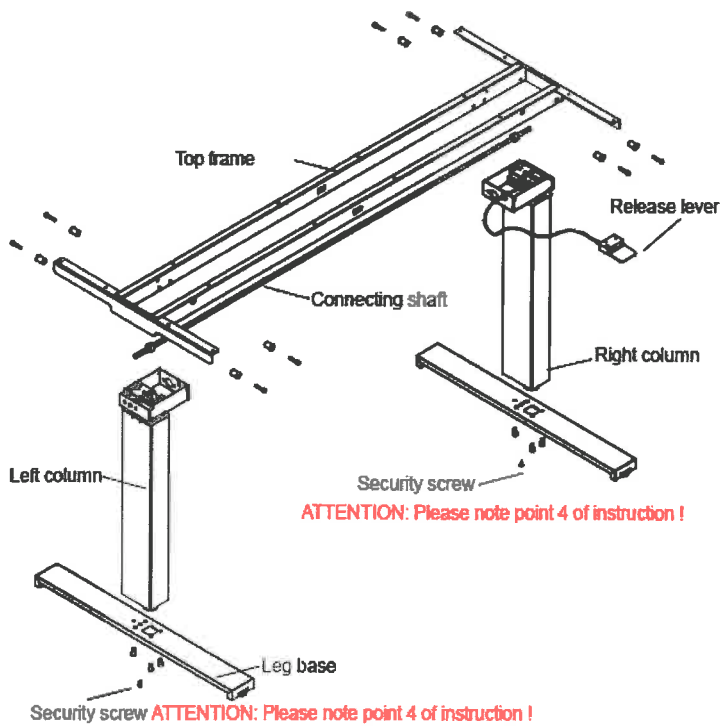


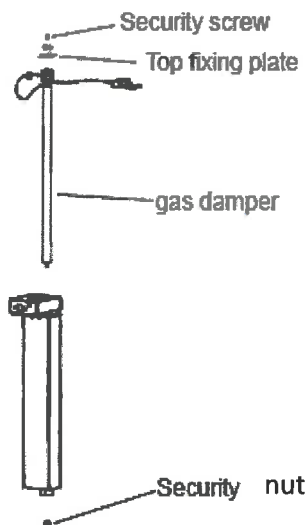


Impression Pneumatic Base Assembly Instructions



Assembly instructions:

1. Bolt each leg base with 3 bolts to the column.
2. Slide connecting shaft into both end frames BEFORE mounting the top frame
3. Bolt top frame on both end frames with provided bolts and pressure sockets



4. Slide gas damper (depressed) into column – it will stick out!
5. Pull the table up to its highest position by pulling the top frame and holding the feet on the ground
6. Slide in the top fixing plate
 - Fix the aluminum head with 2 bolts
 - Tighten security screw
7. Test functionality of table CAREFULLY by leaning over top frame and releasing handle (table shouldn't move in full speed!)
8. Turn table around carefully and tighten nut to bottom of gas damper!
9. Mount top plate to the frame as well as the release handle to the plate

