



## **Landing Team Table Wire Chase Installation Instructions**

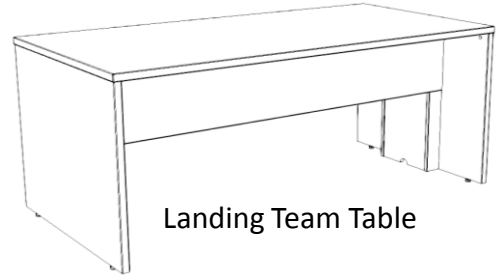
## Installation Instruction

PART NO

NELPM29

NELPM42

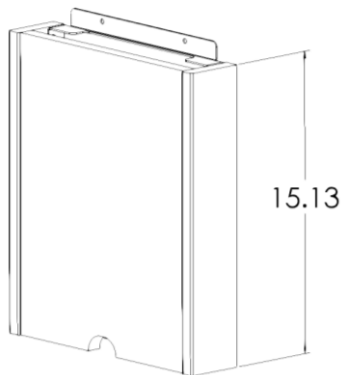
-For use on Landing Team Tables



### Components and hardware

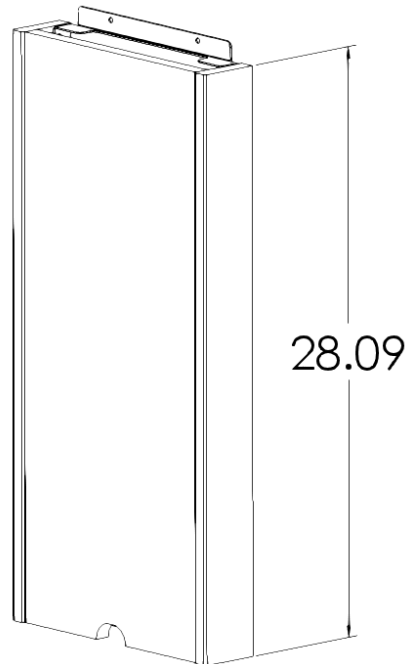


Screw 1  
1" long  
Qty: 4



NELPM29

Qty:2



NELPM42

Qty:2

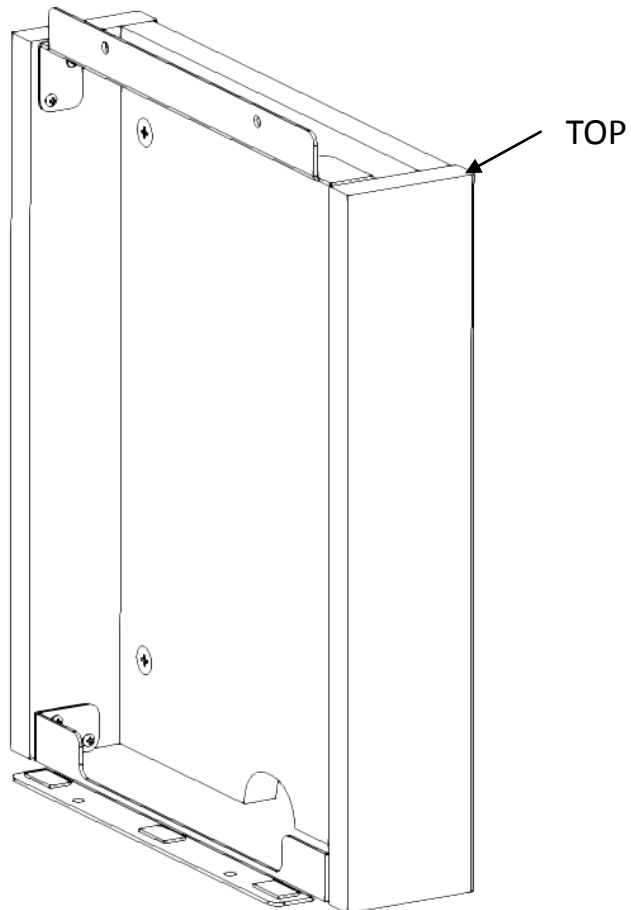
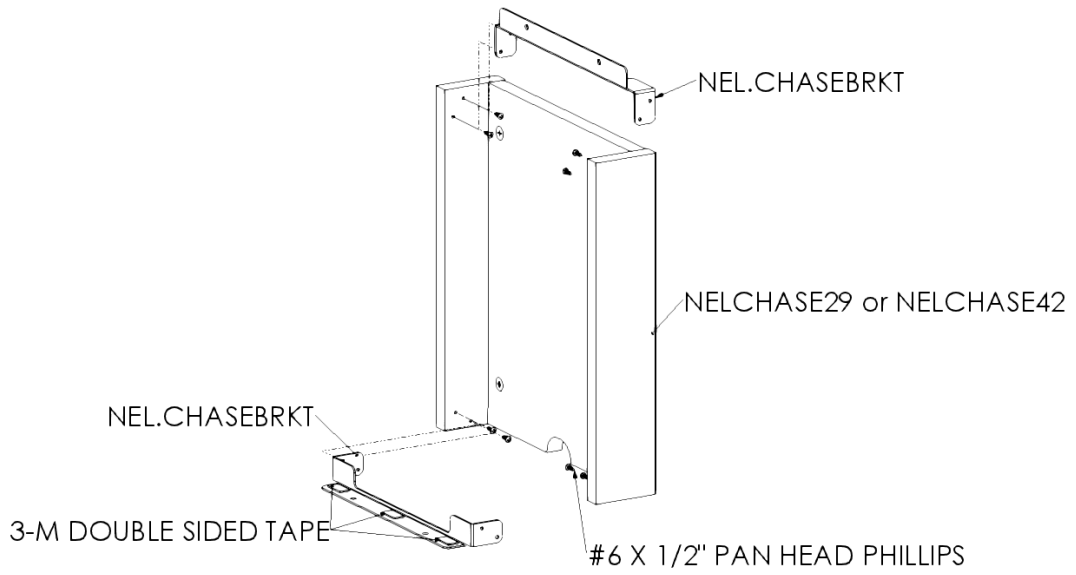
### TOOLS NEEDED

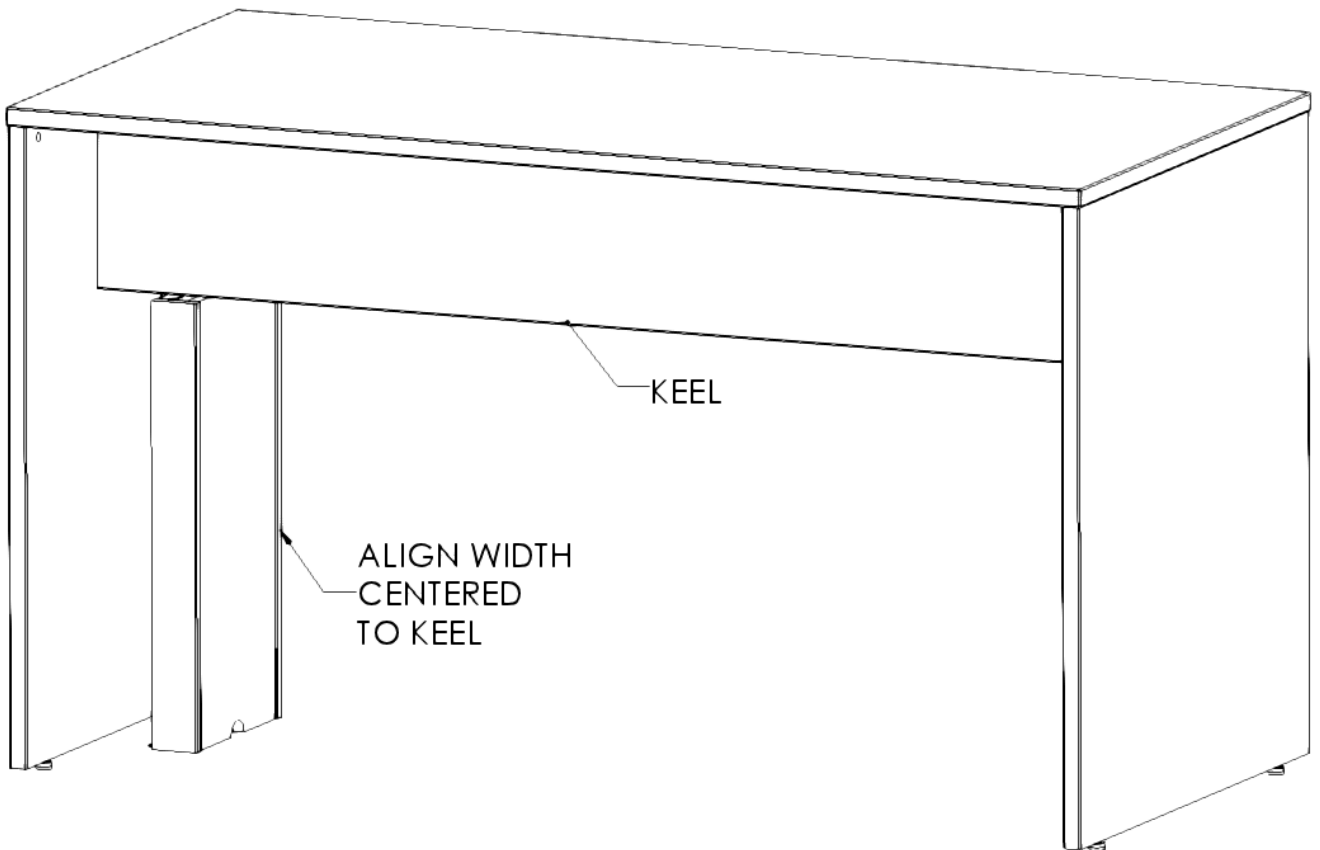
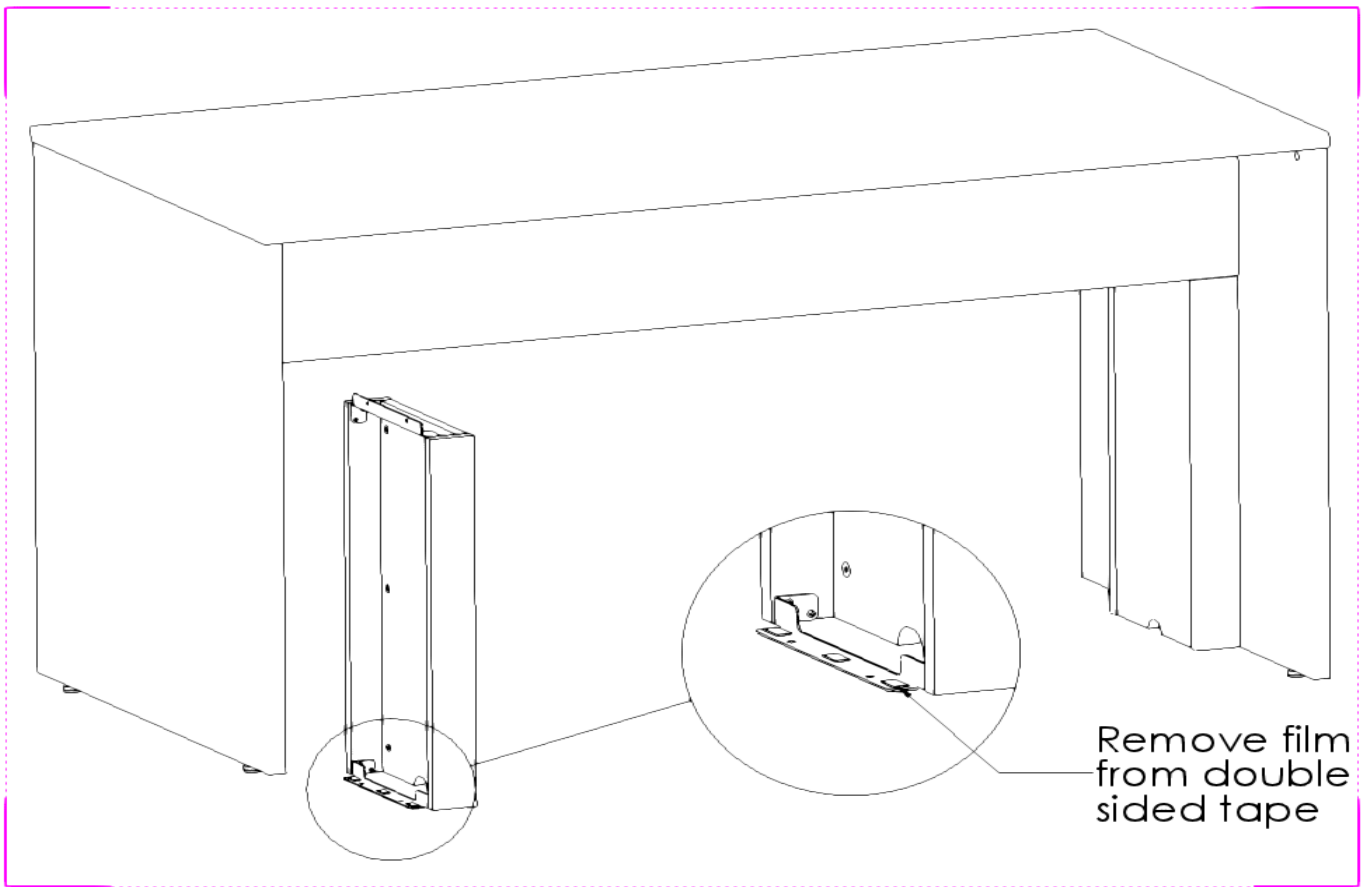
- Drill motor or Driver
- Phillips driver bit

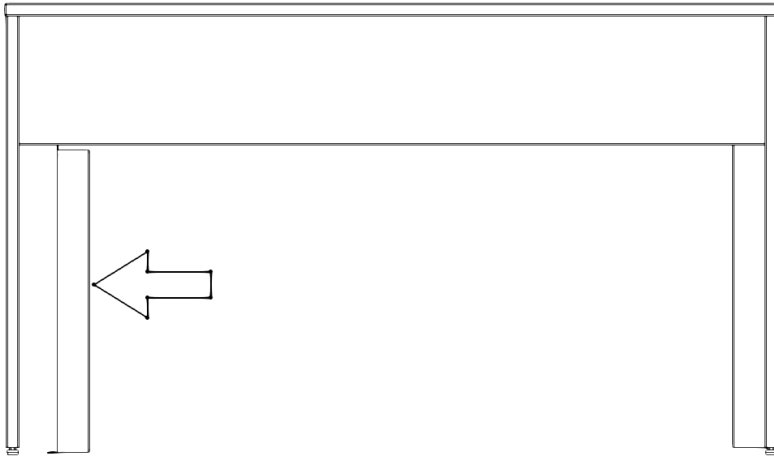
### CAUTION!!!

**Do not over tighten screws when installing. The last few turns should be done slowly, or by hand.**

# Factory assembled



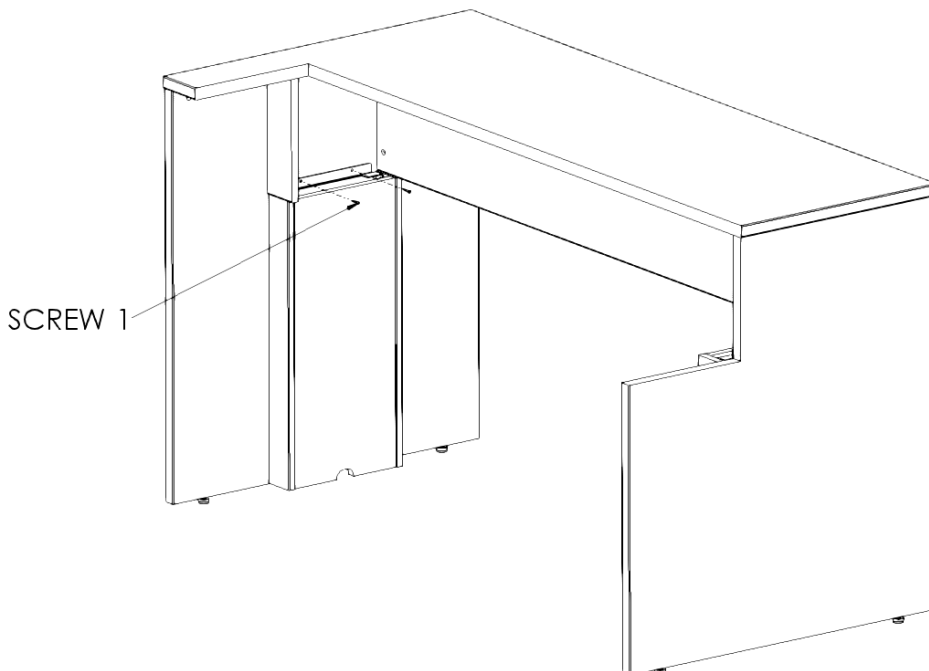




Slide bottom lip of wire cover under side leg so cover sits flat to leg



Lift cover so tape on bottom bracket adheres to bottom of leg



Install qty:2 screw 1 through top bracket into side panel to secure wire cover