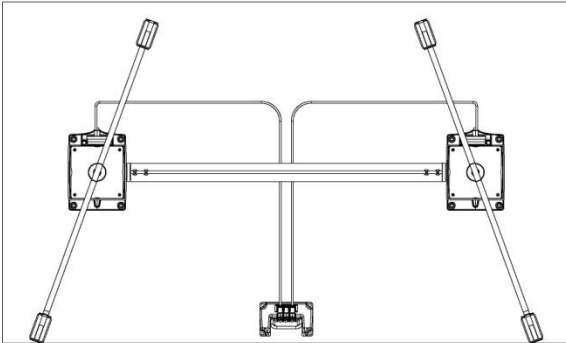
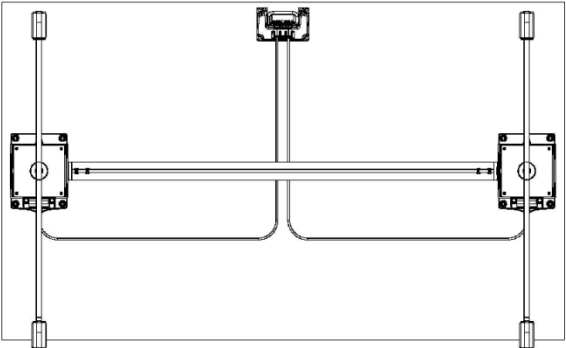
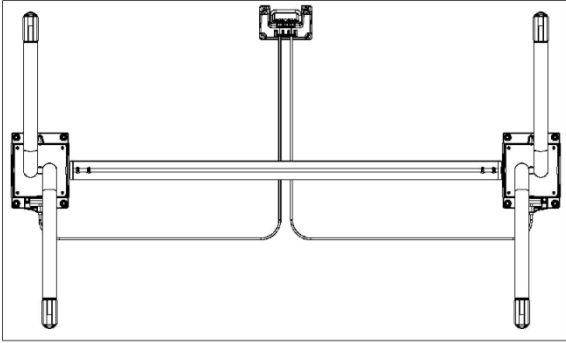




Sensation Flip Table Installation Instructions

Tables Flipping Up



*Please note Leg Orientation as it relates to the position of the handle and each respective mechanism.

*Optional Beam Shown

Installation Instructions

System Installation

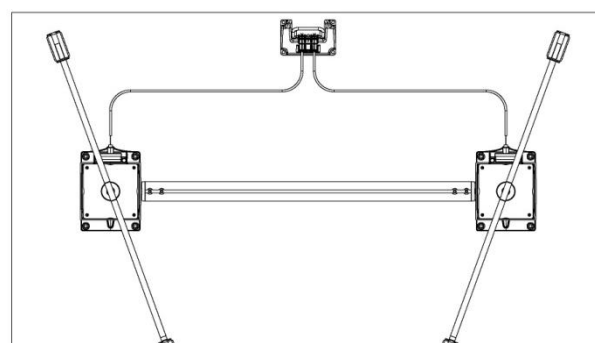
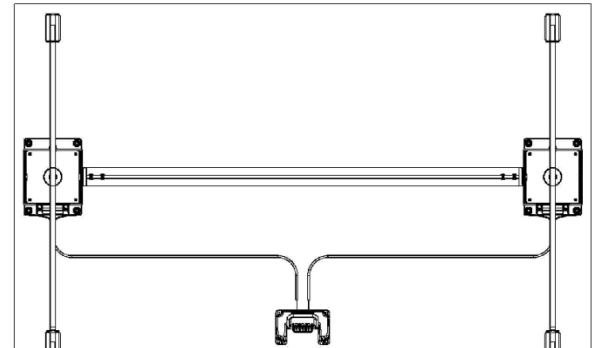
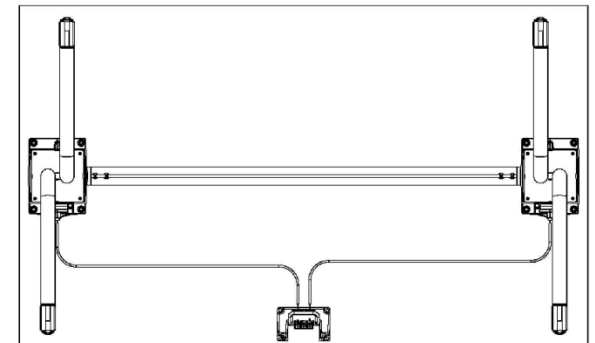
1. Place work surface bottom side up on a non-marring surface.
2. Align holes on mounting plates with pre-drilled holes on bottom side of work surface. Fasten each mounting plate to work surface using the (4) four corner holes with #12 x 1" Phillips Pan Head screws.
3. Align holes on handle base with pre-drilled holes on bottom side of work surface. Fasten handle base to work surface with (4) four #12 x 1" Phillips Pan Head screws.
4. Position cable clips evenly along the cable and fasten to bottom side of work surface with #6 x 1/2" Phillips Pan Head screws.
5. Use handle assembly to release the mechanisms and lock the mechanisms in the upright position.
6. **Critical Step:** Complete installation of the system by fastening each mounting plate to work surface using the (4) four interior holes with #12 x 1" Phillips Pan Head screws.
7. Use handle assembly to release the mechanisms and return the mechanisms to lowered position.

Leg Installation

1. Match orientation and position to enclosed diagram for each style of table leg and attach each leg with (4) four 1/4"-20 Pan Head Machine Screws.

***FAILURE TO USE ALL SCREWS PROVIDED MAY VOID PRODUCT WARRANTY**

Tables Flipping Down



*Please note Leg Orientation as it relates to the position of the handle and each respective mechanism.

*Optional Beam Shown