

eBench Environments

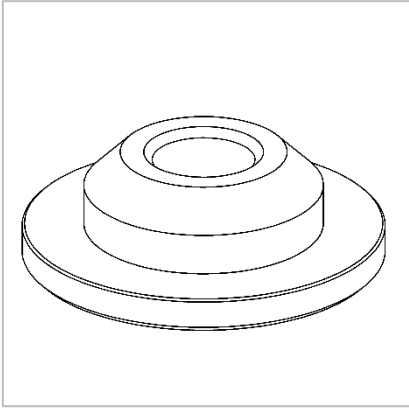
PN: EBDxxxx

Double Sided Linked Benching Workstations

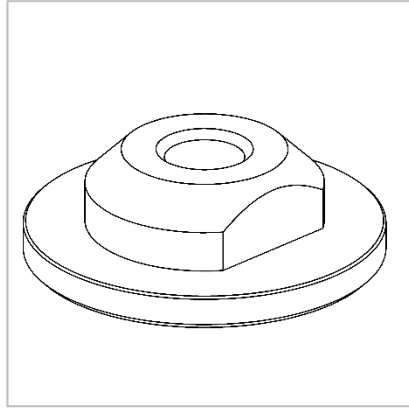


INSTALLATION INSTRUCTIONS

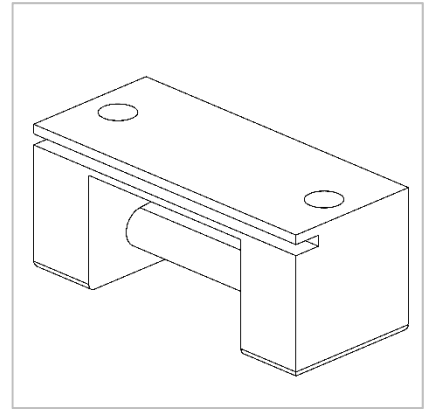
1) Parts and Fasteners Included



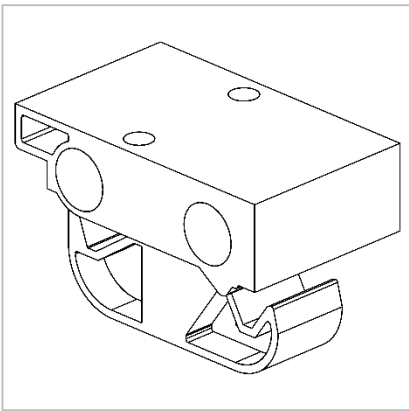
Straight Washer



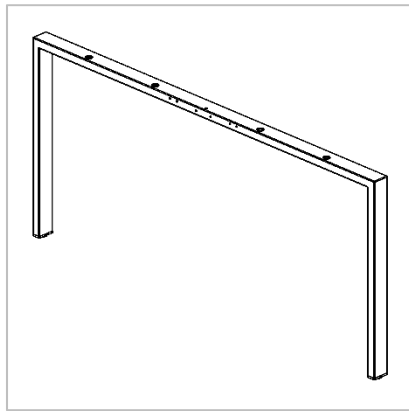
Threaded Washer



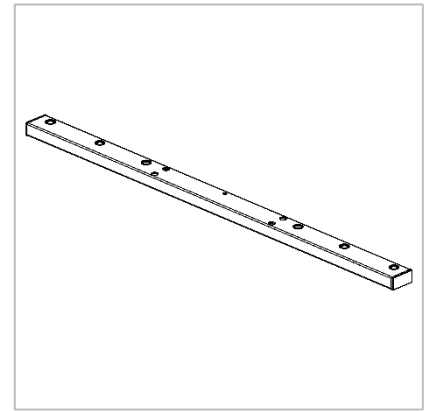
Rail Mount



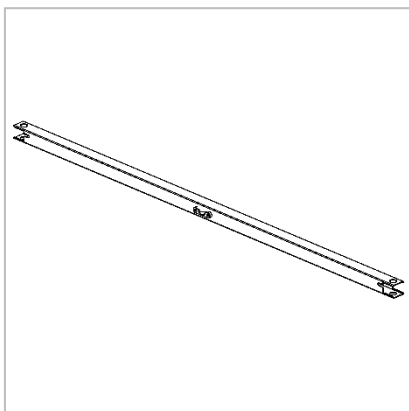
Trough Hangar



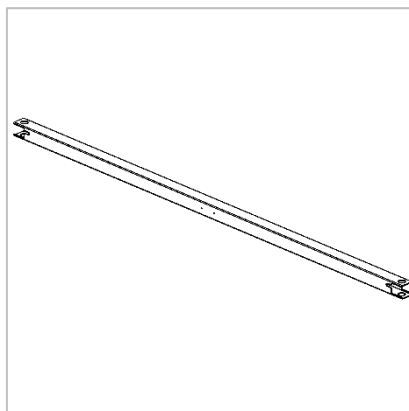
End Base



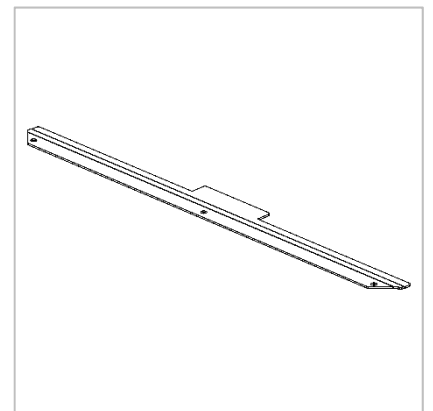
Connection Bar



Cross Bar With lock

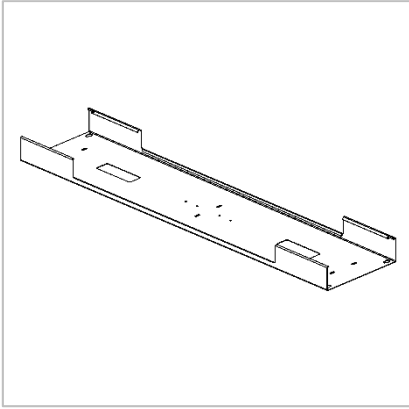


Cross Bar

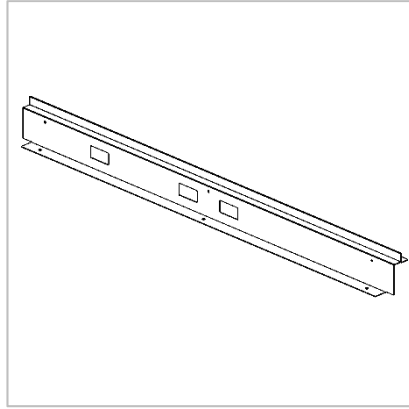


Sliding Rail

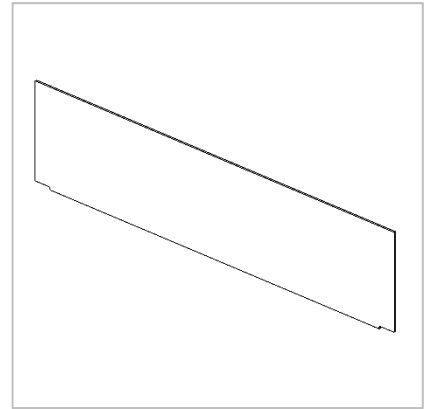
1) Parts and Fasteners Included



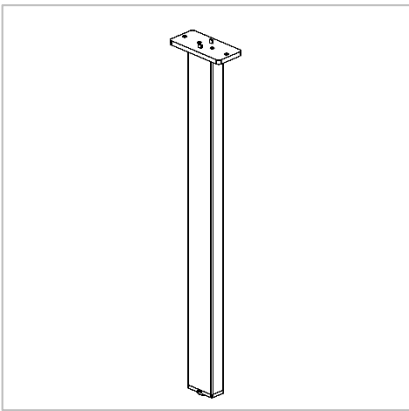
Data Trough



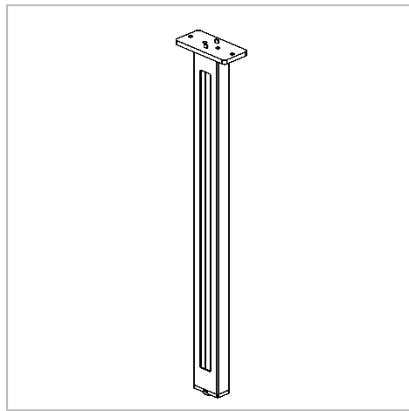
Screen Mount



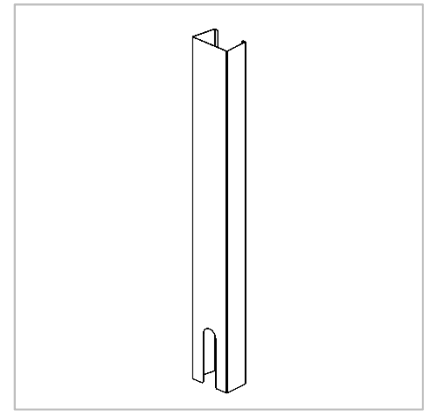
Topper Screen



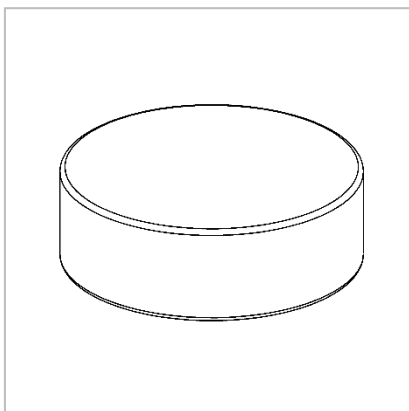
Support Leg



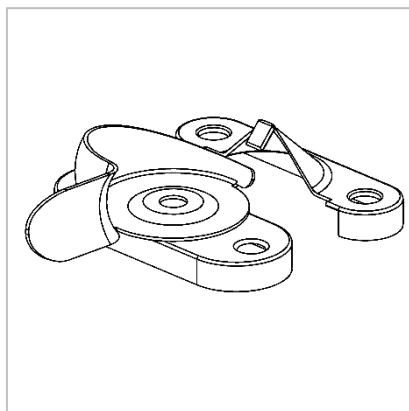
Infeed Leg



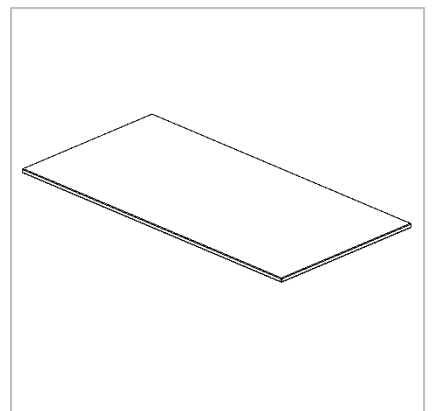
Infeed Leg Cover



Top Glides



Lock



Work Surface

1) Parts and Fasteners Included



EBF4 Support Leg Fastener Kit

Fasteners Included (per bag)

QTY (4) - M8-1.25 X 45MM Flat Head Socket Cap Screw

NOTE:

One bag per support leg



EBF7 Double Sided Fastener Kit

Fasteners Included (per bag)

QTY (4) - M8-1.25 X 40MM Low Head Socket Cap Screw

QTY (4) - M6-1.0 X 30MM Socket Cap Screw Tri-Lobe

QTY (6) - #8 X 5/8 Flat Phillips Wood Screw

NOTE:

One bag per work station



EBF10 Spine Fastener Kit

Fasteners Included (per bag)

QTY (6) - 1/4-20 High Crown Acorn Nut

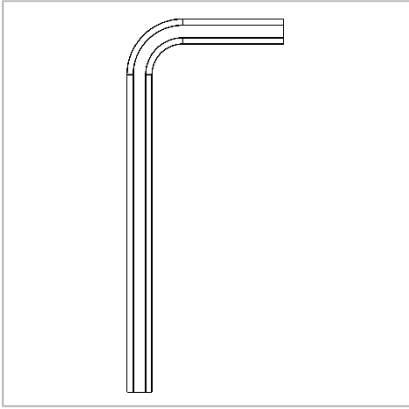
QTY (3) - 8-32 X 1 Combo Head Bind Post

QTY (3) - 8-32 X 2 pan Head Machine Screw

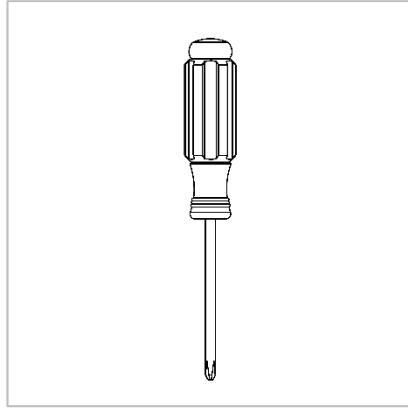
NOTE:

One bag per Center Technology Raceway

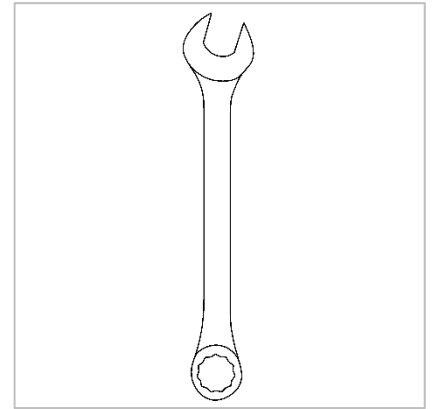
2) Tools and Supplies Required



5mm Allen Wrench



Phillips Screwdriver QTY 2



7/16" Wrench

3) Assembly: Structure



Figure A

1. Slide one rail mount onto each cross bar, pushing firmly until it clicks into place.



Figure B

2. Position end leg upside down, and align four cross bars as shown. Plastic rail mount pieces will be on the bottom. The two outer cross bars will have the mounted lock, and the inner will have these missing.



Figure C

3. Install using one threaded washer on the bottom, ensuring the flat lines up with the flat on the crossbar, one straight washer on the top, and one bolt from kit EBF7



Figure D

4. Repeat for remaining three cross bars.

NOTE: If installing a 2 pack, repeat process for other end leg on the opposite side of the cross bars. Skip to step 9.

3) Assembly: Structure continued



Figure E

5. Align connector bar to the opposite ends of the cross bars. The holes with bushings will be closest to cross bars. The four equal sized holes near the center of the connection bar will have the counter sink side facing down.



Figure F

6. Attach connection bar using the same method to attach the end leg described in step 3.

NOTE: Repeat steps 1-6 for all cross bars

NOTE: Larger than 4-packs will have assemblies with two connection bars, and no end legs.



Figure G

7. Turn end leg assemblies right side up, and position support legs in place under connection bar. Attach using provided 8mm flat head machine screws.

NOTE: Before attaching the Support Legs, be sure to consider placement of the Infeed Leg. This should be close to where the power/data will be supplied to the structure.



Figure H

8. Align and attach remaining end leg assemblies, and connection bar assemblies to construct the correct size linked bench.

3) Assembly: Structure continued

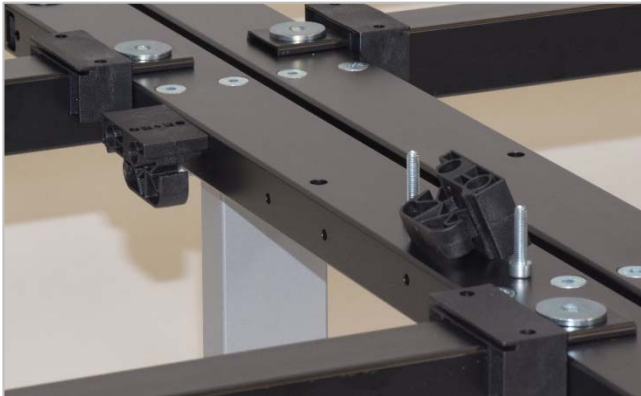


Figure I

9. Attach Technology Raceway hangars into pre drilled holes using provided tri lobe machine screws. Be sure to align the shorter hook, labeled 2 facing the user sides of the bench. The longer hooks, labeled 1 will be facing the center.



Figure J

10. Attach provided glides to cross bars by carefully peeling off backer, and firmly pressing in place.

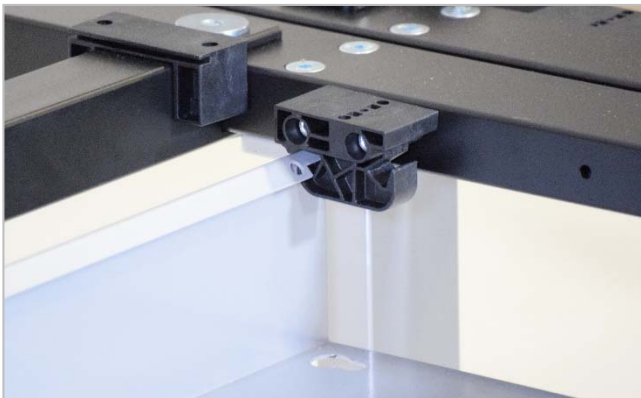


Figure K

11. Hang all troughs on installed hangars.



Figure L

12. Install receptacles into the pre-installed power blocks.

3) Assembly: Structure continued



Figure M

13. Connect all power and data connections.



Figure N

14. Install two-piece topper screen mount by aligning in place, and securing with provided acorn nut from underneath the trough.



Figure O

15. Install all three binding posts and bolts into spine. Loosely secure, but do not tighten at this time.



Figure P

16. Place topper screen into mounting channel. Tighten binding posts using two Philips head screwdrivers. If necessary loosen lower acorn nuts to align multiple screens, then retighten.

3) Assembly: Structure continued



Figure Q

17. Install Sliding rail into rail mounts, ensuring the side with the holes is higher than the slide side.



Figure R

18. Place top onto rails, and align rail holes with the pre drill holes in the underside of the top. The top will have two holes in the center of the table nearest to the user side. Secure using provided #8 x 5/8" wood screws.



Figure S

19. Attach lock to underside of table using provided screws.



Figure T

20. Install infeed leg cover onto leg, with opening towards the floor.



12900 Christopher Drive Lowell, MI 49331
800.815.7251 www.enwork.com

Specifications subject to change without notice.