

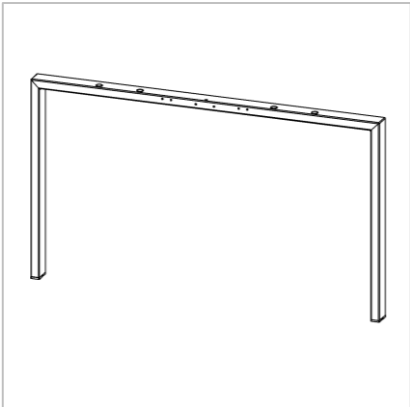
eBench Table

Conference Table



Installation Instruction

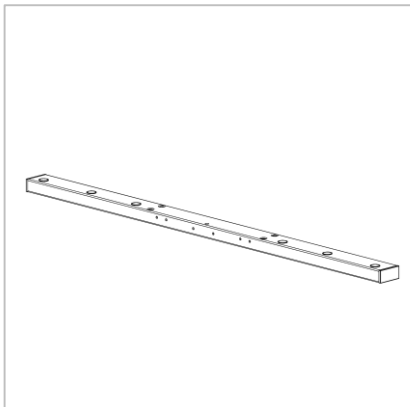
1) Parts and Fasteners Included



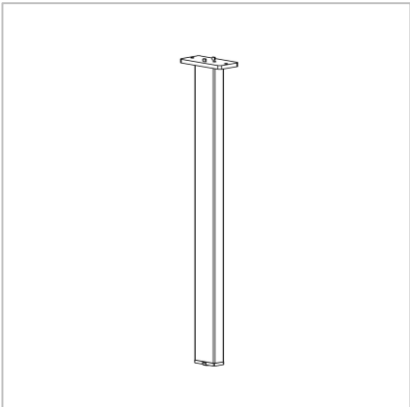
EBE48 for 48"D tables
EBE60 for 60"D tables
End Base



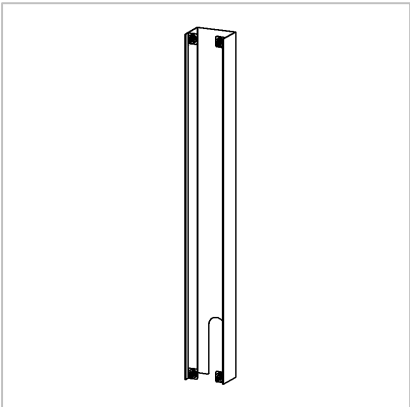
EBCB48 / EBCB60 / EBCB72
Crossbar



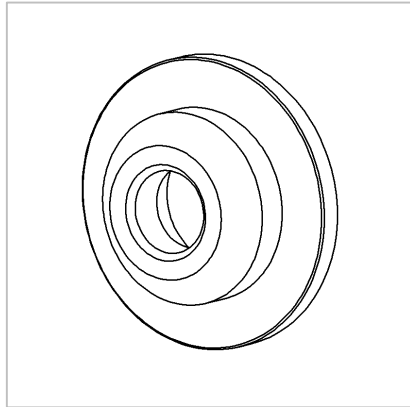
EBDD60
Connection Bar



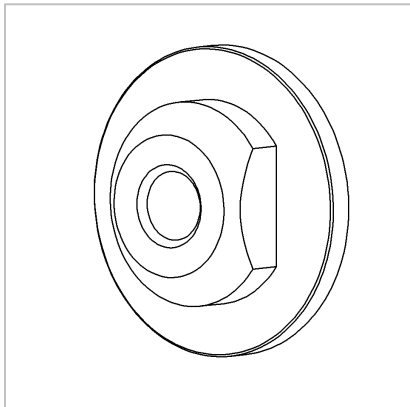
EBSL
Mid Run Support Leg



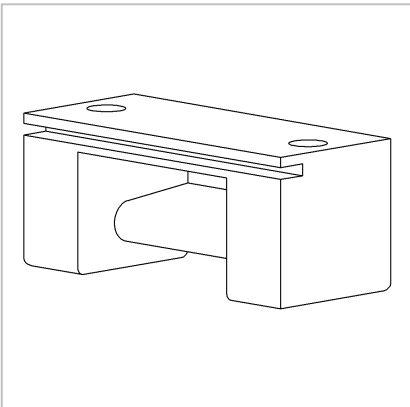
EBM-1327
Power Infeed Cover



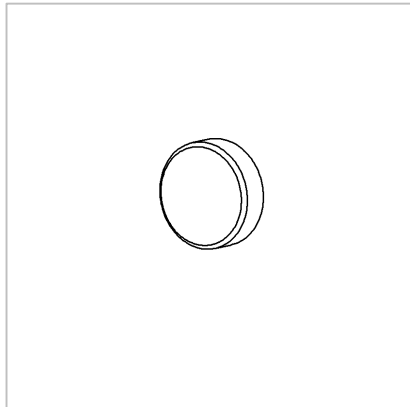
EBF1
Washer Without Thread



EBF2
Washer With Thread

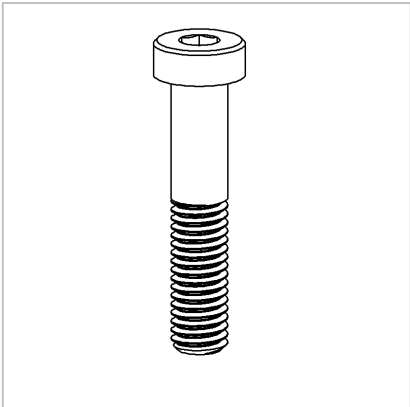


EBF3
Plastic Crossbar Connector



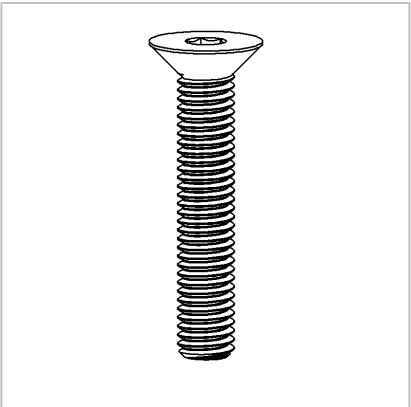
EBF9A
Plastic Glide

1) Parts and Fasteners Included



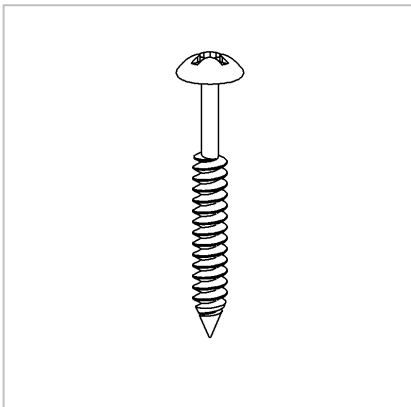
200-28147

M8-1.25 x 40MM LOW HD
SOCKET CAP SCREW



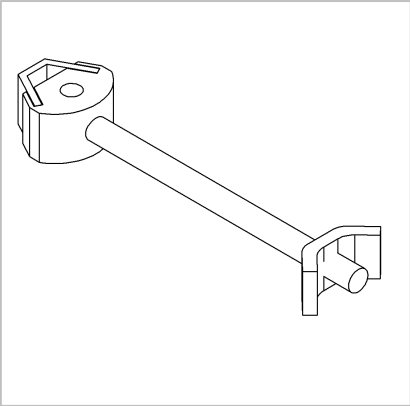
200-26469

M8-1.25 x 45MM FLAT HEAD
SOCKET CAP SCREW



200-04314

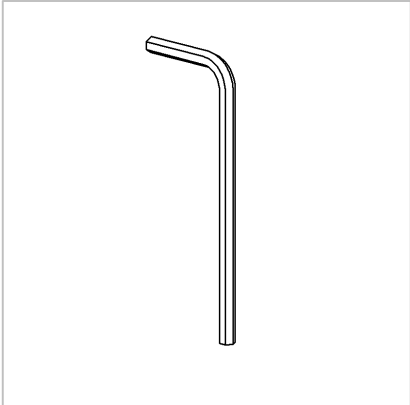
10 x 1 1/2" PAN HEAD
PHILLIPS



200-28470

MINI ZIPBOLT CONNECTOR

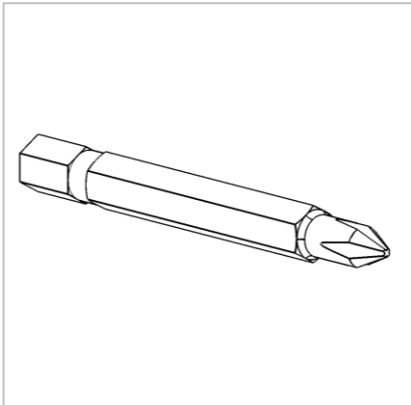
2) Tools and Supplies Required



4MM & 5MM ALLEN
WRENCH

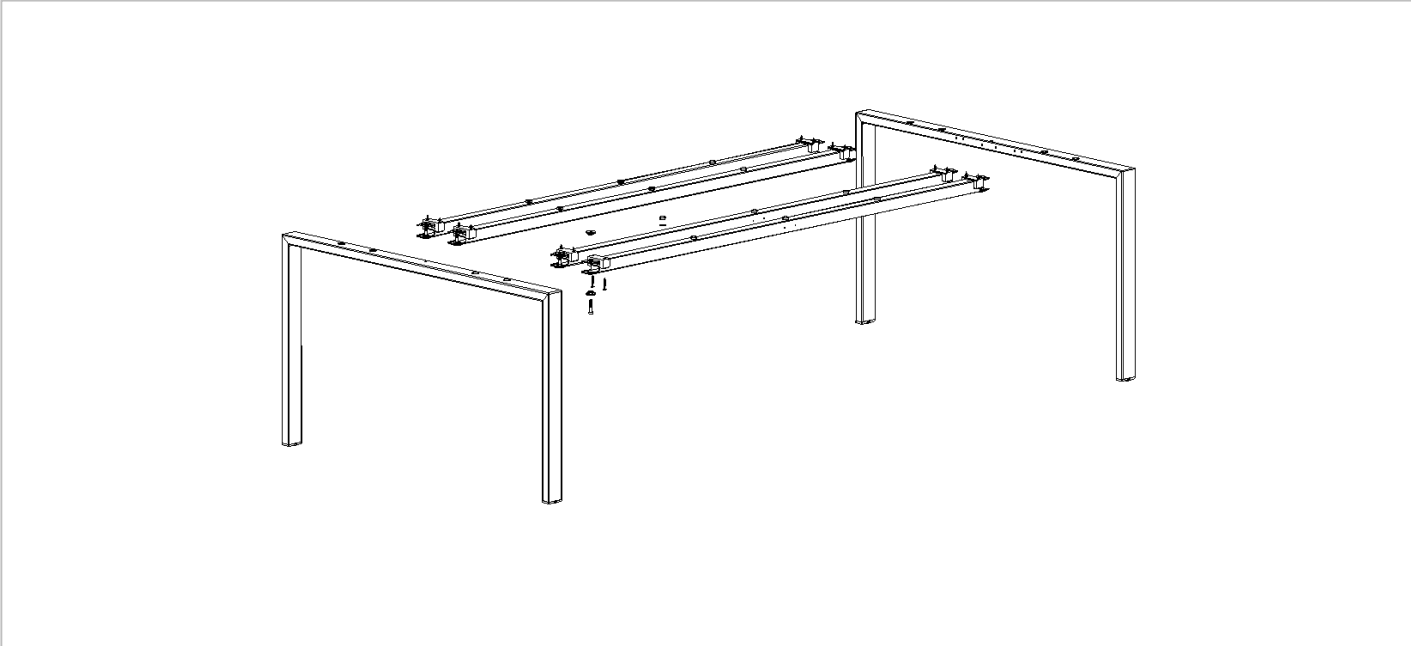


DRILL / DRIVER

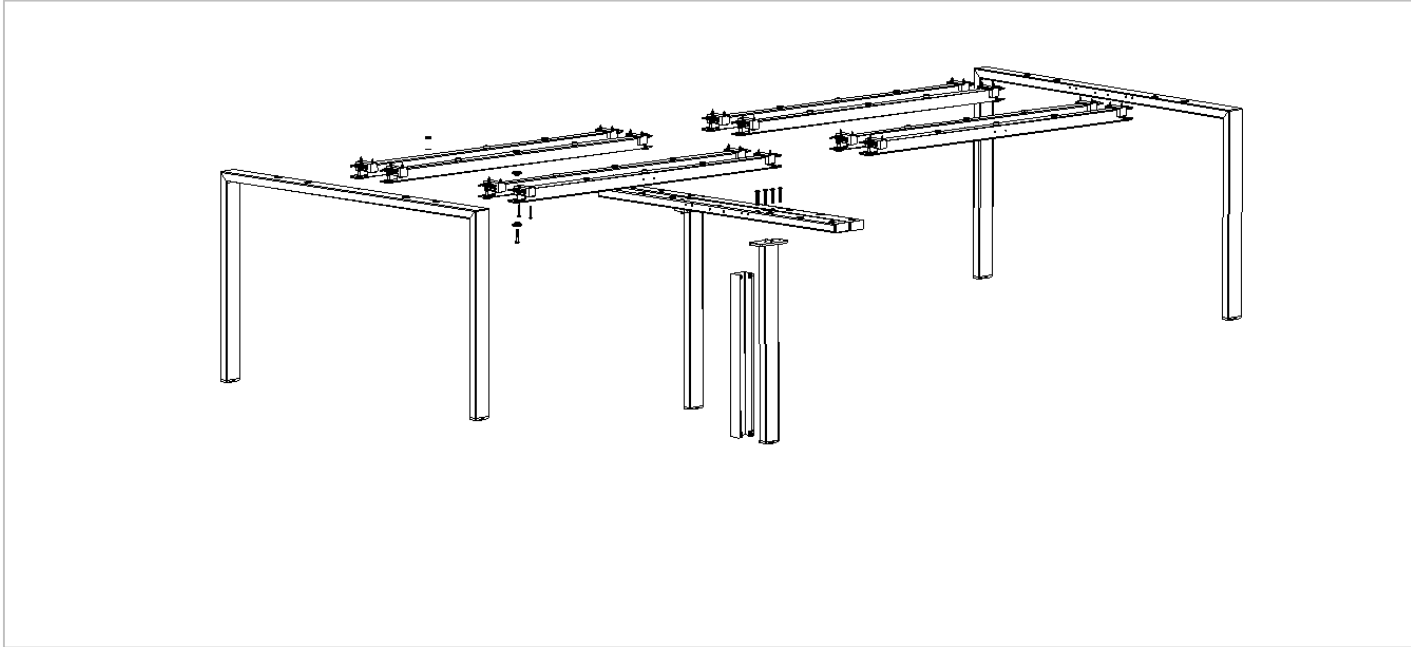


#2 PHILLIPS DRIVER BIT

3) Model Number Overview

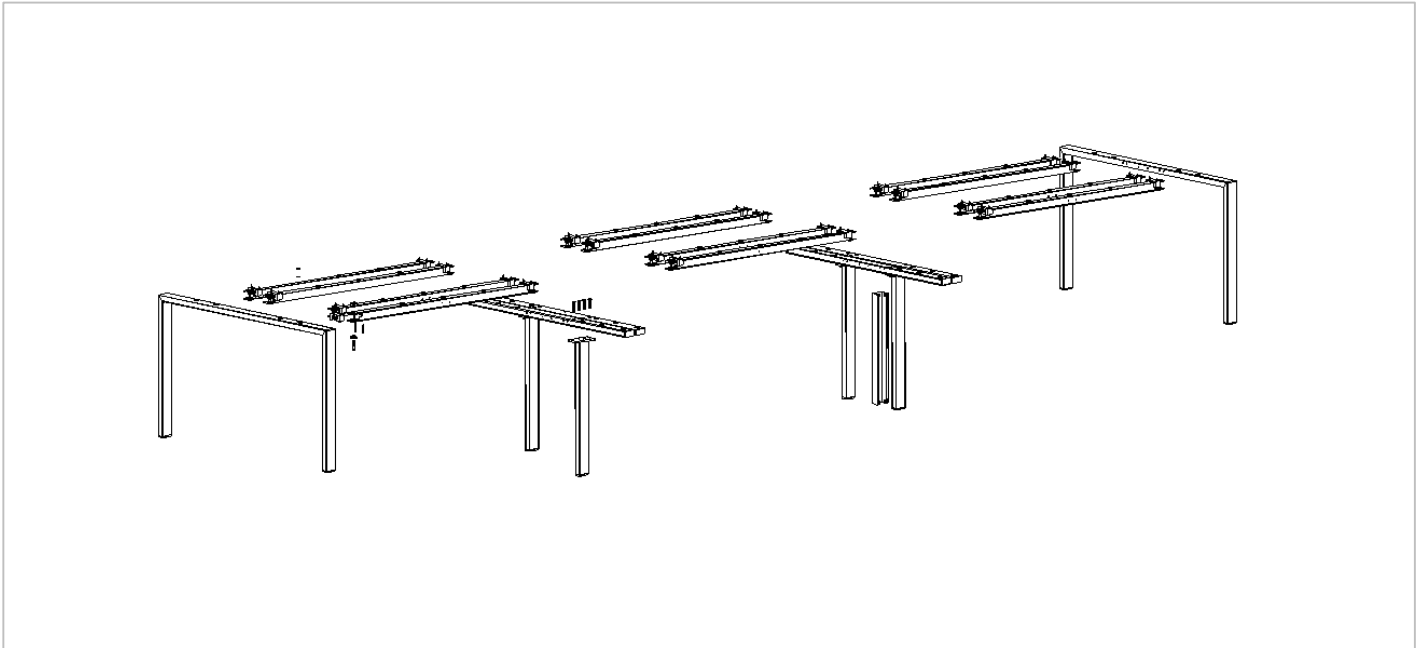


1 Bar eBench Table
EBZ4848 / EBZ4860 / EBZ4872
EBZ6048 / EBZ6060 / EBZ6072



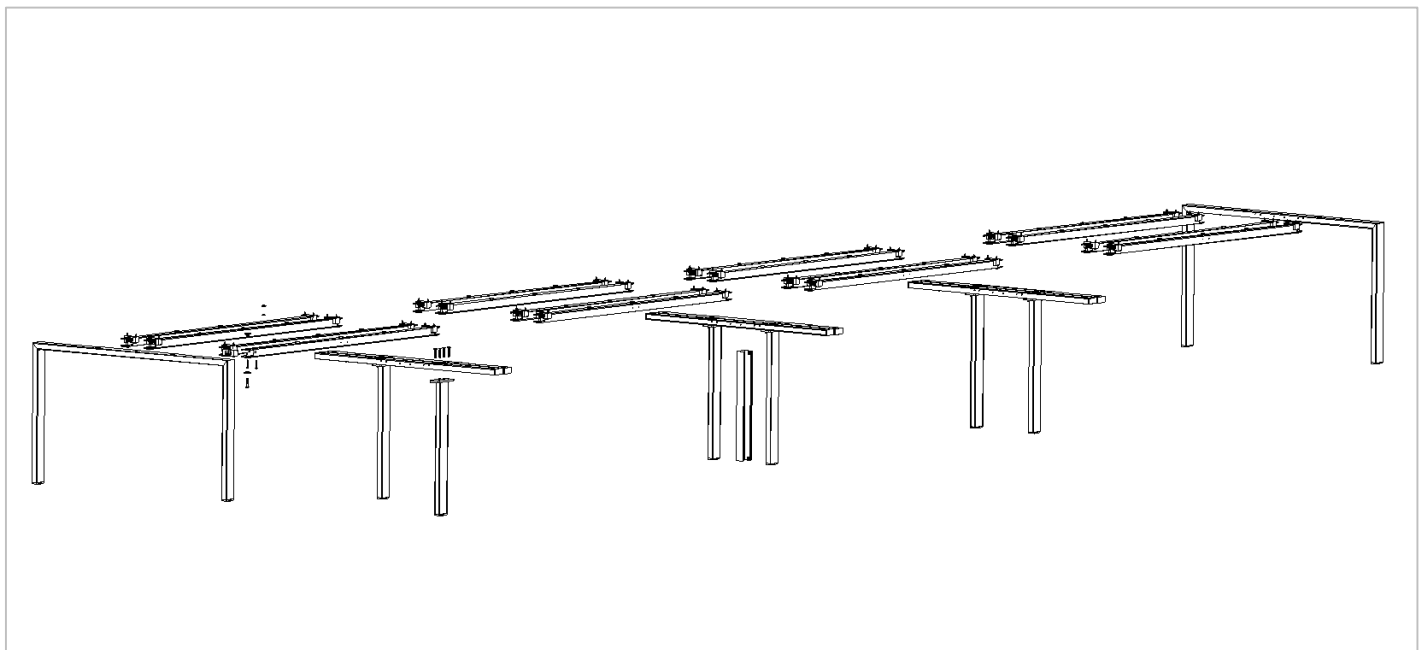
2 Bar eBench Table
EBZ4896 / EBZ48120 / EBZ481442
EBZ6096 / EBZ60120 / EBZ601442

3) Model Number Overview Cont.



3 Bar eBench Table

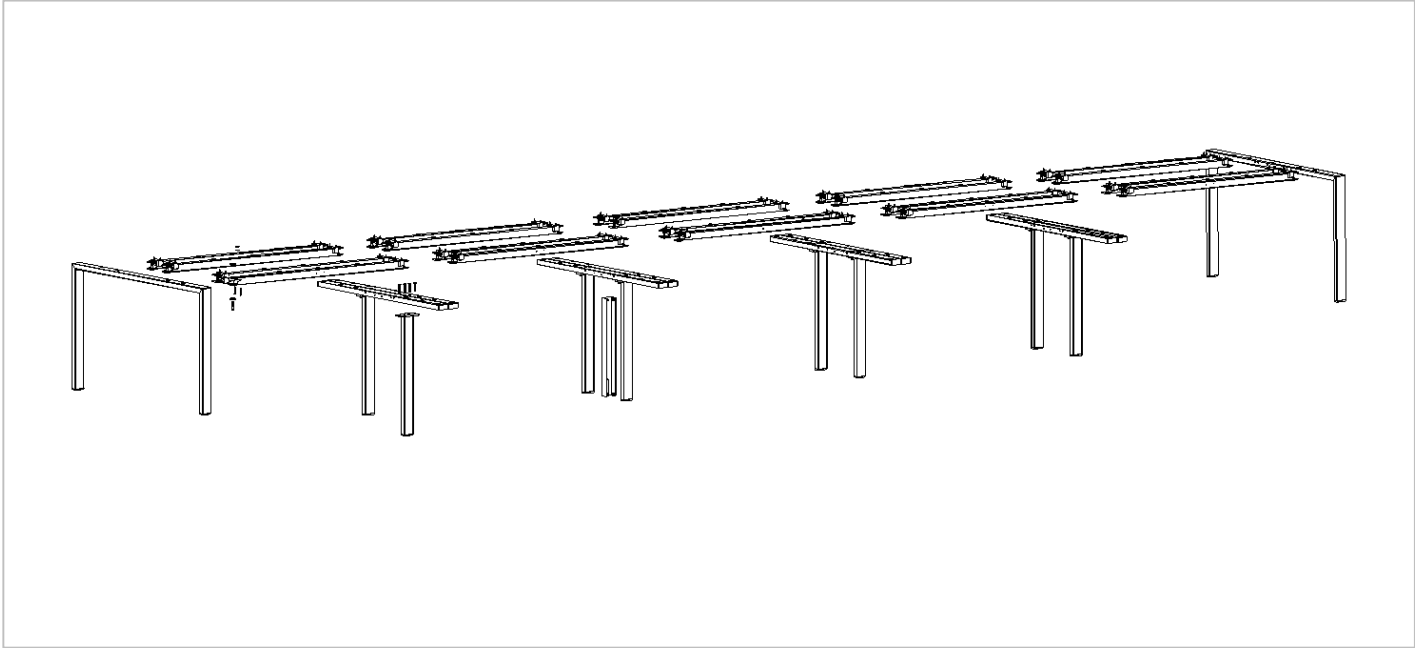
EBZ481443 / EBZ48156 / EBZ48168 / EBZ48180 / EBZ48192 / EBZ48204 / EBZ48216
 EBZ601443 / EBZ60156 / EBZ60168 / EBZ60180 / EBZ60192 / EBZ60204 / EBZ60216



4 Bar eBench Table

EBZ482404
 EBZ602404

3) Model Number Overview Cont.

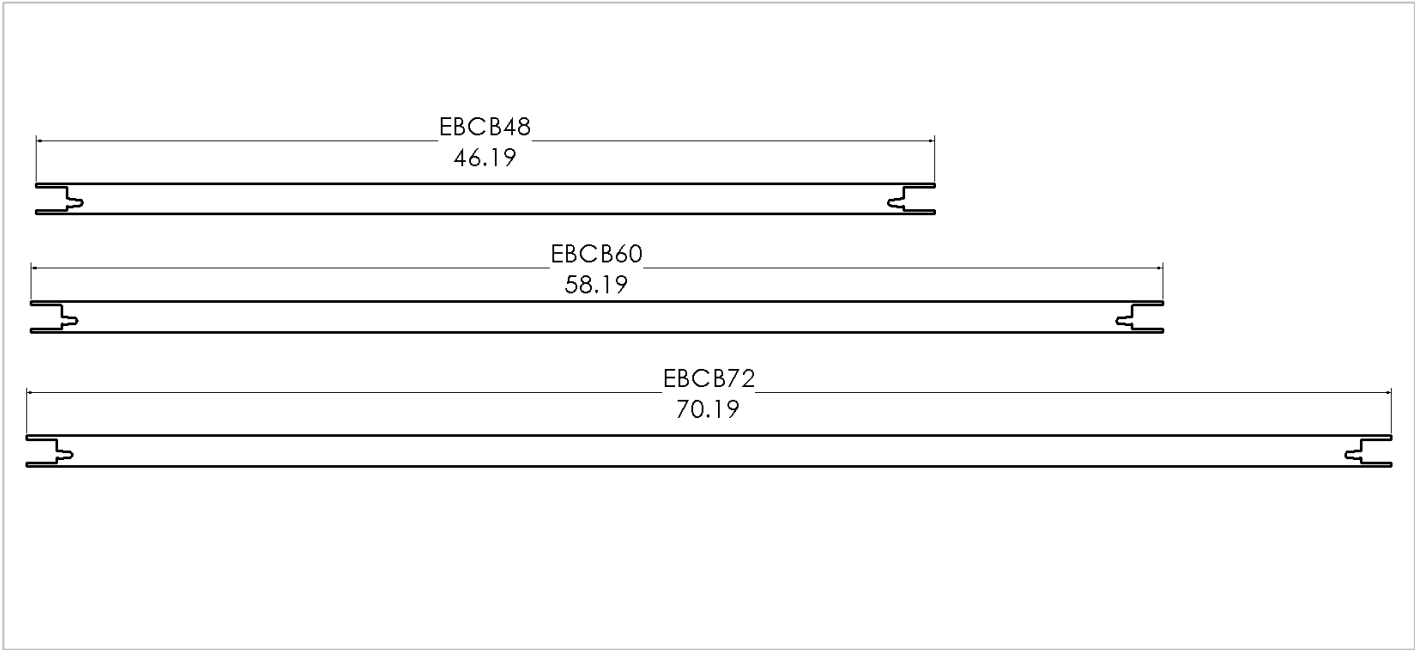


5 Bar eBench Table
 EBZ482405
 EBZ602405

TABLE LENGTH	CROSSBAR CONFIGURATIONS					
48"W	1 BAR TABLES	EBCB48				
60"W		EBCB60				
72"W		EBCB72				
96"W	2 BAR TABLES	EBCB48	EBCB48			
120"W		EBCB60	EBCB60			
144"W		EBCB72	EBCB72			
144"W	3 BAR TABLES	EBCB48	EBCB48	EBCB48		
156"W		EBCB48	EBCB60	EBCB48		
168"W		EBCB60	EBCB48	EBCB60		
180"W		EBCB60	EBCB60	EBCB60		
192"W		EBCB60	EBCB72	EBCB60		
204"W		EBCB72	EBCB60	EBCB72		
216"W		EBCB72	EBCB72	EBCB72		
240"W	4 BAR TABLES	EBCB60	EBCB60	EBCB60	EBCB60	
240"W	5 BAR TABLES	EBCB48	EBCB48	EBCB48	EBCB48	EBCB48

Chart shows crossbar configuration for each length of table

3) Model Number Overview Crossbars EBCBxx



EBCBxx Lengths

4) Assembly:

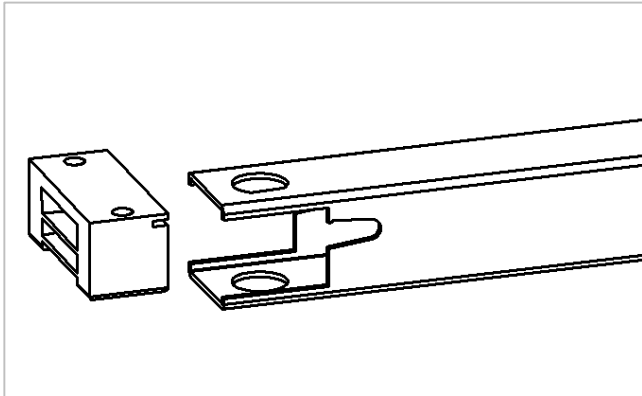


Fig. 1

- Attach EBF1 to all crossbar ends (EBCB48, EBCB60, EBCB72)

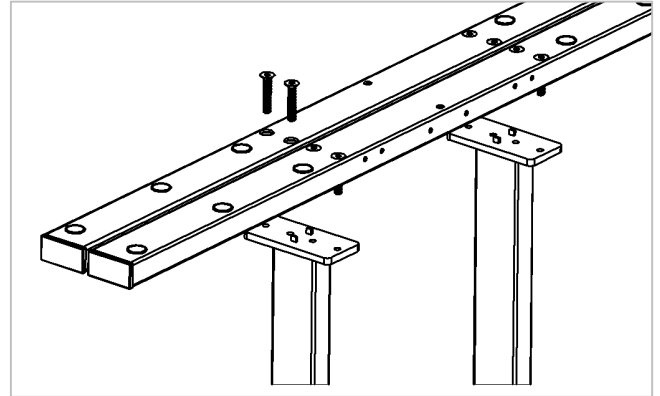


Fig. 2 (for 2, 3, 4 and 5 bar tables only)

- Connect qty 2, EBDD60 to qty 2, EBSL using fastener 200-26469, flat head screw.
- *Note*
- Holes on side of EBDD60 face outward.
- Countersunk holes on EBDD60 face up.

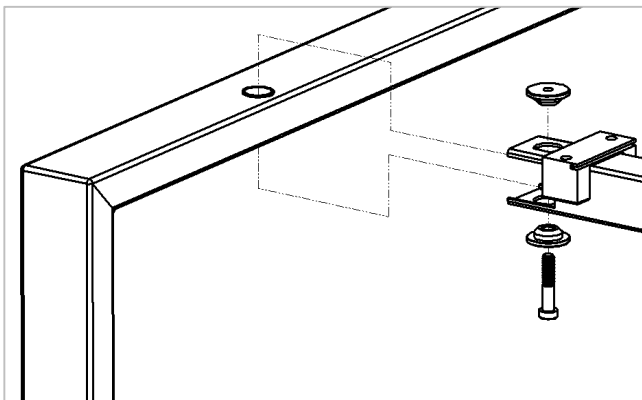


Fig. 3

- Connect crossbar to EBE48 or EBE60 using qty. 1, EBF1, EFF2 and 200-28147
- Repeat for all crossbars.
- *Note*
- Connection to mid run leg shown in Fig. 2 is the same as shown in Fig. 3.

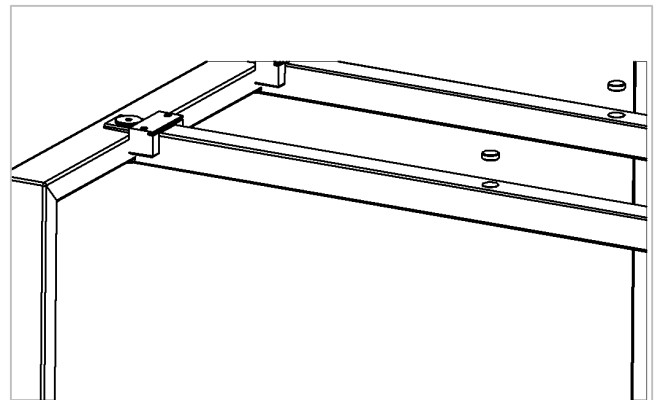


Fig. 4

- Remove backer from disks on crossbar (EBCB48 / EBCB60 / EBCB72) and attach plastic disk (EBF9A) to adhesive.
- Place one EBF9A at all locations of stickers.

4) Assembly

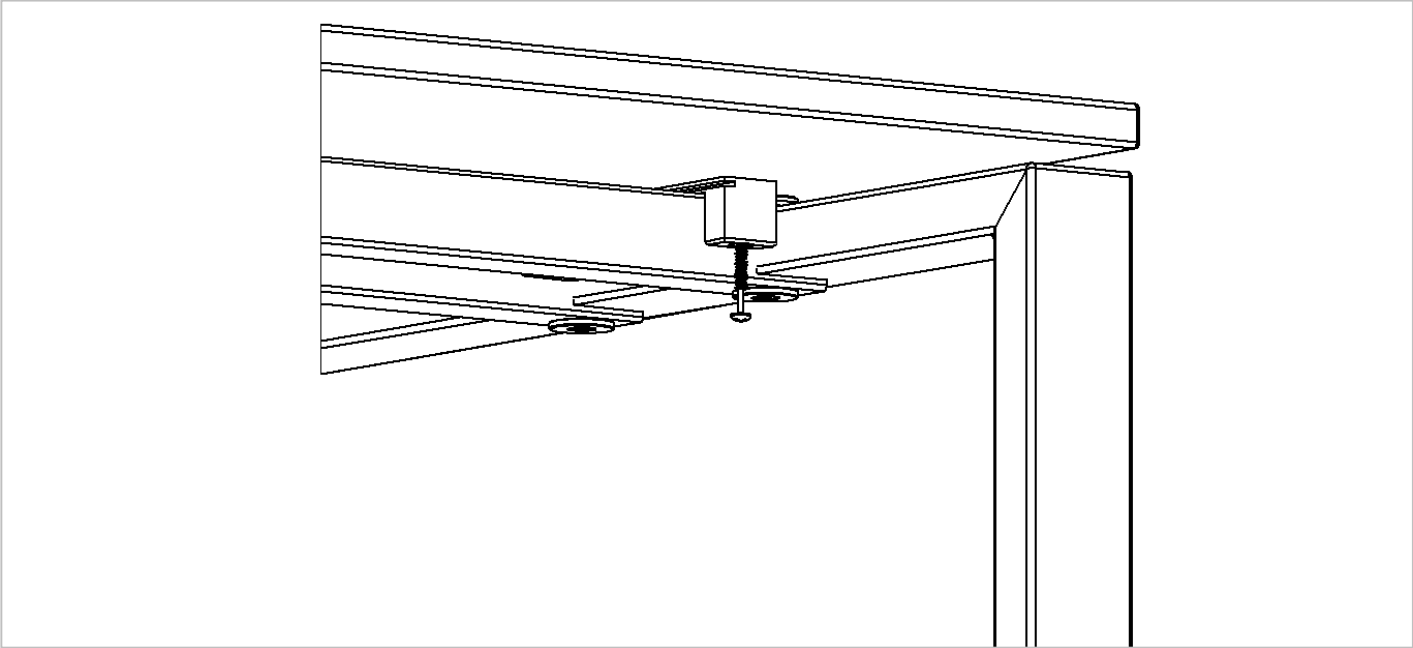


Fig. 5

Attach surface using qty 2, 200-04314 screws through all EBF3 parts. Surface is centered all around base.

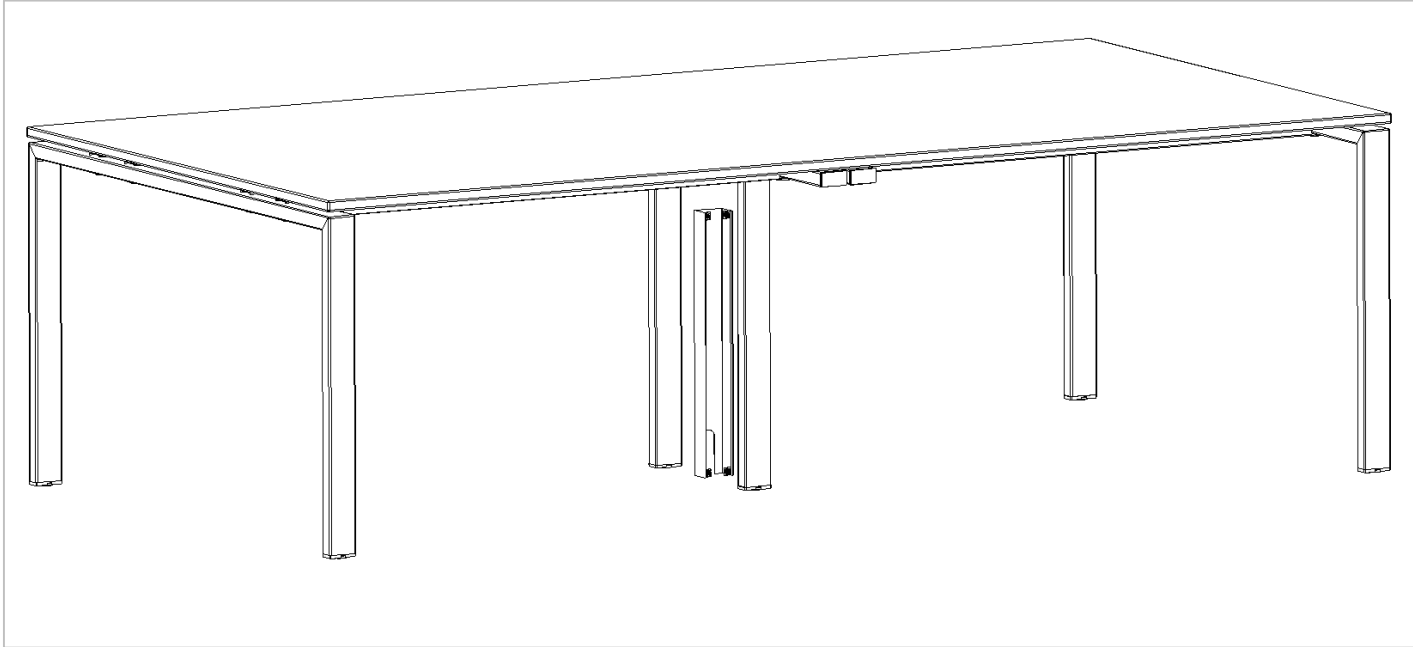


Fig. 6

Leg cover EBM-1327 magnetically attaches to mid run legs for power / cord concealment.



12900 Christopher Drive Lowell, MI 49331
800.815.7251 www.enwork.com

Specifications subject to change without notice.