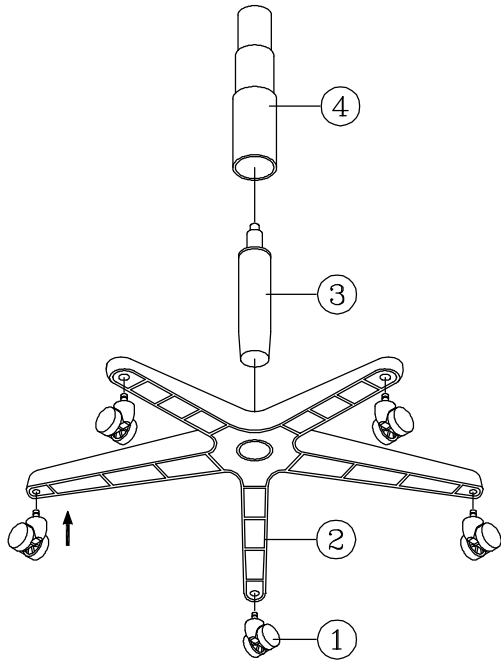


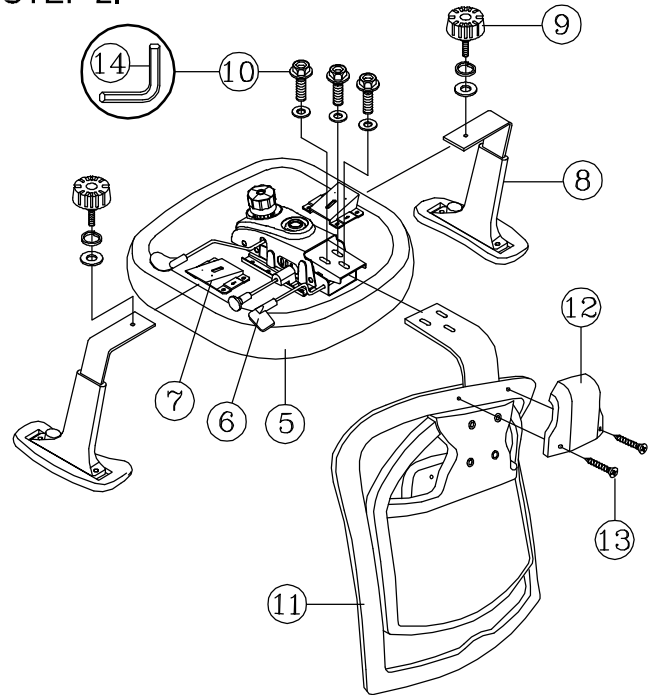
PARTS LIST

KEY QTY	DESCRIPTION	KEY QTY	DESCRIPTION	KEY QTY	DESCRIPTION
1	5	Caster	6	1	Mechanism
2	1	Base	7	2	Arm Bracket
3	1	Seat Post	8	2	Armrest
4	1	Seat Post Cover	9	2	Arm Width Adjustment Knob + Washers
5	1	Seat	10	3	Back Bolt + Washer
			11	1	Backrest
			12	1	Back Post Bellow
			13	2	Back Post Bellow Screw
			14	1	M5 Size Allen Wrench

STEP 1.



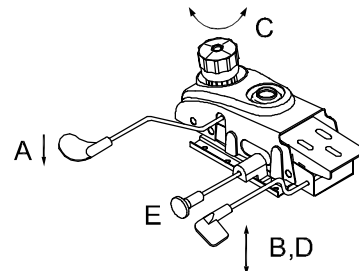
STEP 2.



STEP 3.



MEHB3



MECHANISM INSTRUCTIONS :

- (A) SEAT HEIGHT ADJUSTMENT :
Pull lever up and downward. Release lever when desired position is reached.
- (B) BACK TILT ADJUSTMENT :
Turn the lever up, move backrest to tilt. To lock in position, turn lever down.
- (C) TILT TENSION ADJUSTMENT KNOB :
Rotate knob clockwise / counterclockwise to adjust tilt tension based on body weight.
- (D) TILT LOCK
Lock and release switch of synchronized tilt with 3-position stop.
- (E) Pull handle bar out, allows seat to slide forward and backward. Release handle bar to lock desired seat position.

PREVENTIVE MAINTENANCE AND WARNING!

- USE THIS PRODUCT ONLY FOR SEATING ONE PERSON AT A TIME.
- DO NOT USE THIS CHAIR AS A STEP STOOL / LADDER.
- DO NOT SIT ON ANY PART OF THE CHAIR EXCEPT THE SEAT.
- DO NOT USE CHAIR ON UNEVEN FLOOR SURFACES.
- DO NOT USE CHAIR UNLESS ALL BOLTS, SCREWS AND KNOBS ARE TIGHTENED.
- EVERY SIX MONTHS, PLEASE MAKE SURE ALL BOLTS, SCREWS AND KNOBS ARE FULLY TIGHTENED TO ENSURE STABILITY.
- IF ANY PARTS ARE MISSING, BROKEN, DAMAGED OR WORN, STOP USE OF THE PRODUCT UNTIL REPAIRS ARE MADE USING FACTORY AUTHORIZED PARTS.
- DISPOSE OF PACKAGING PROPERLY. PLASTIC BAG IS NOT A TOY. DO NOT USE PLASTIC BAG AS HEAD COVERING - IT MAY CAUSE SUFFOCATION.
- FAILURE TO FOLLOW THESE WARNINGS COULD RESULT IN SERIOUS INJURY.
- NOTE: SOME SCREWS MAY BE PREASSEMBLED. IF PREASSEMBLED, IGNORE ASSEMBLY INSTRUCTIONS.