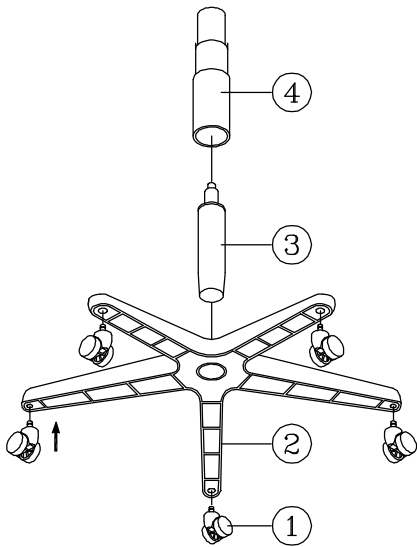


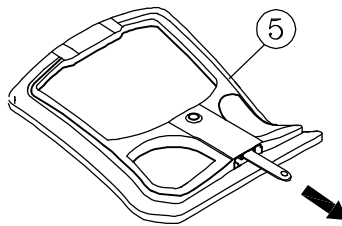
PARTS LIST

KEY QTY	DESCRIPTION	KEY QTY	DESCRIPTION	KEY QTY	DESCRIPTION	
1	5	Caster	7	1	Backrest Screw	
2	1	Base	8	1	Seat	
3	1	Seat Post	9	1	Mechanism	
4	1	Seat Post Cover	10	2	Armrest	
5	1	Backrest	11	2	Arm Width Adjustment Knob + Washers	
6	1	Backrest Post	12	2	Armrest Bracket	
				13	1	Back Post Bellow
				14	2	Back Post Bellow Screw
				15	3	Mechanism Bracket Screw + Washer
				16	1	M5 Size Allen Wrench

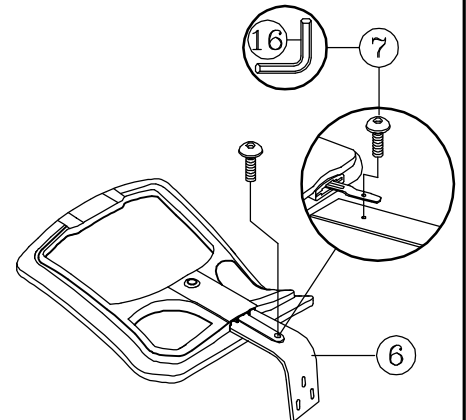
STEP 1.



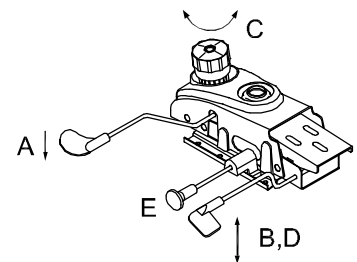
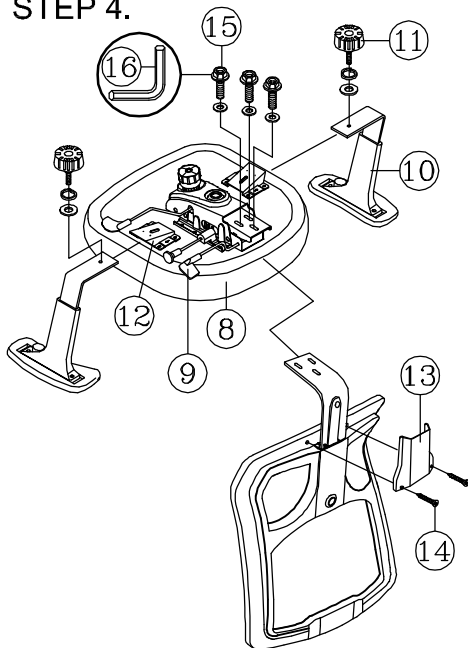
STEP 2.



STEP 3.



STEP 4.



MECHANISM INSTRUCTIONS :

- (A) **SEAT HEIGHT ADJUSTMENT :**
Pull lever up and downward.
Release lever when desired position is reached.
- (B) **BACK TILT ADJUSTMENT :**
Turn the lever up, move backrest to tilt.
To lock in position, turn lever down.
- (C) **TILT TENSION ADJUSTMENT KNOB :**
Rotate knob clockwise / counterclockwise to adjust tilt tension based on body weight.
- (D) **TILT LOCK**
Lock and release switch of synchronized tilt with 3-position stop.
- (E) Pull handle bar out, allows seat to slide forward and backward. Release handle bar to lock desired seat position.

ATTENTION

1. THIS ASSEMBLY INSTRUCTION IS ONLY FOR ASSEMBLING THE CHAIR. THE CHAIR DRAWING MAY BE DIFFERENT FROM CHAIR APPEARANCE.
2. SOME SCREWS MAY PREASSEMBLED, ASSEMBLERS CAN IGNORE THE STEP.
3. REMOVE ALL ITEMS FROM THE CARTON. VERIFY ALL PIECES BEFORE ASSEMBLY.

PREVENTIVE MAINTENANCE AND WARNING!

- IF ANY PARTS ARE MISSING, BROKEN, DAMAGED OR WORN, STOP USE OF THE PRODUCT UNTIL REPAIRS ARE MADE USING FACTORY AUTHORIZED PARTS.
- DISPOSE OF PACKAGING PROPERLY.
- FAILURE TO FOLLOW THESE WARNINGS COULD RESULT IN SERIOUS INJURY.
- EVERY SIX MONTHS, PLEASE MAKE SURE ALL BOLTS, SCREWS AND KNOBS ARE FULLY TIGHTENED TO ENSURE STABILITY.