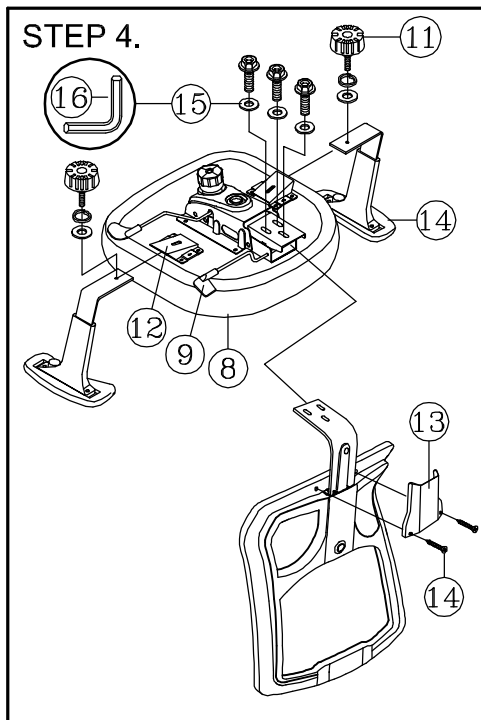
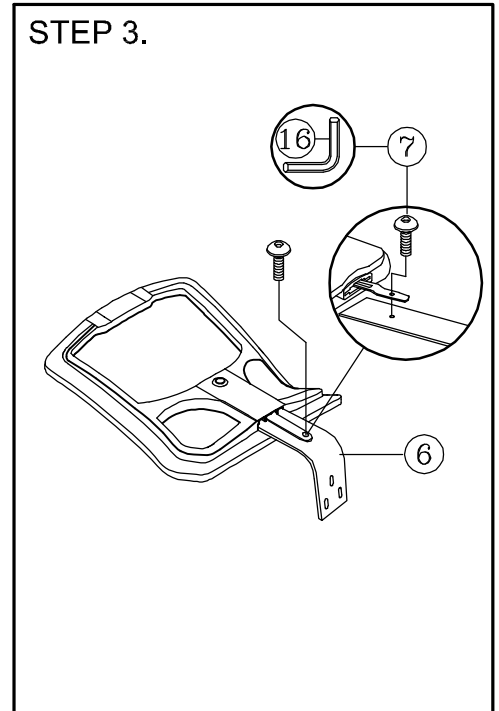
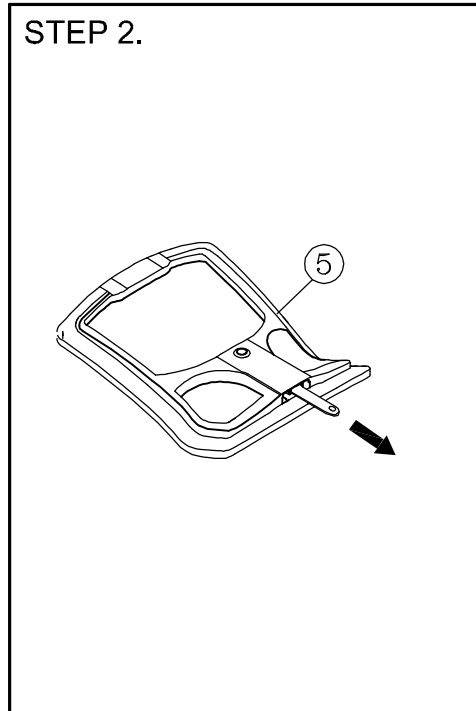
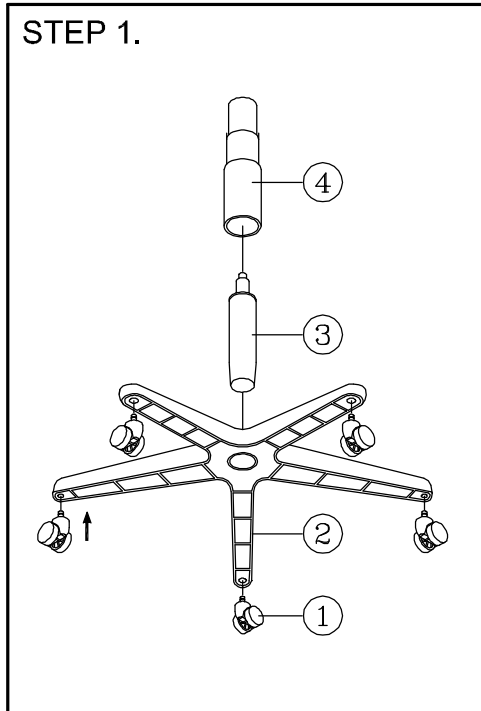


PARTS LIST

KEY QTY DESCRIPTION	KEY QTY DESCRIPTION	KEY QTY DESCRIPTION
1 5 Caster	7 1 Backrest Screw	12 2 Armrest Bracket
2 1 Base	8 1 Seat	13 1 Back Post Bellow
3 1 Seat Post	9 1 Mechanism	14 2 Back Post Bellow Screw
4 1 Seat Post Cover	10 2 Armrest	15 3 Mechanism Bracket Screw + Washer
5 1 Backrest	11 2 Arm Width Adjustment Knob + Washers	16 1 M5 Size Allen Wrench
6 1 Backrest Post		



MECHANISM INSTRUCTIONS :

(A) **SEAT HEIGHT ADJUSTMENT :**
Pull lever up and downward.
Release lever when desired position is reached.

(B) **BACK TILT ADJUSTMENT :**
Turn the lever up, move backrest to tilt. To lock in position, turn lever down.

(C) **TILT TENSION ADJUSTMENT KNOB :**
Rotate knob clockwise / counterclockwise to adjust tilt tension based on body weight.

(D) **TILT LOCK**
Lock and release switch of synchronized tilt with 3-position stop.

ATTENTION

1. THIS ASSEMBLY INSTRUCTION IS ONLY FOR ASSEMBLING THE CHAIR. THE CHAIR DRAWING MAY BE DIFFERENT FROM CHAIR APPEARANCE.
2. SOME SCREWS MAY PREASSEMBLED , ASSEMBLERS CAN IGNORE THE STEP.
3. REMOVE ALL ITEMS FROM THE CARTON. VERIFY ALL PIECES BEFORE ASSEMBLY.

PREVENTIVE MAINTENANCE AND WARNING!

- IF ANY PARTS ARE MISSING, BROKEN, DAMAGED OR WORN, STOP USE OF THE PRODUCT UNTIL REPAIRS ARE MADE USING FACTORY AUTHORIZED PARTS.
- DISPOSE OF PACKAGING PROPERLY.
- FAILURE TO FOLLOW THESE WARNINGS COULD RESULT IN SERIOUS INJURY.
- EVERY SIX MONTHS, PLEASE MAKE SURE ALL BOLTS, SCREWS AND KNOBS ARE FULLY TIGHTENED TO ENSURE STABILITY.