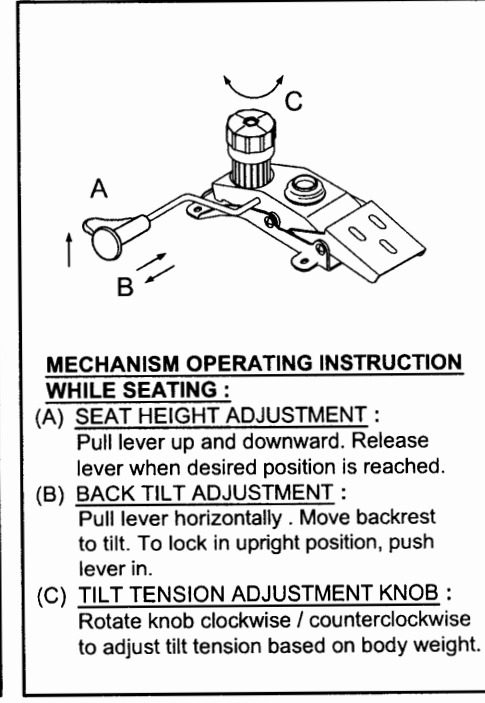
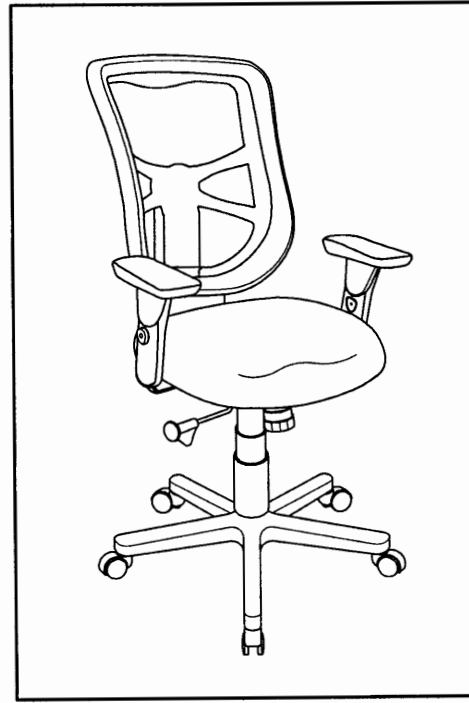
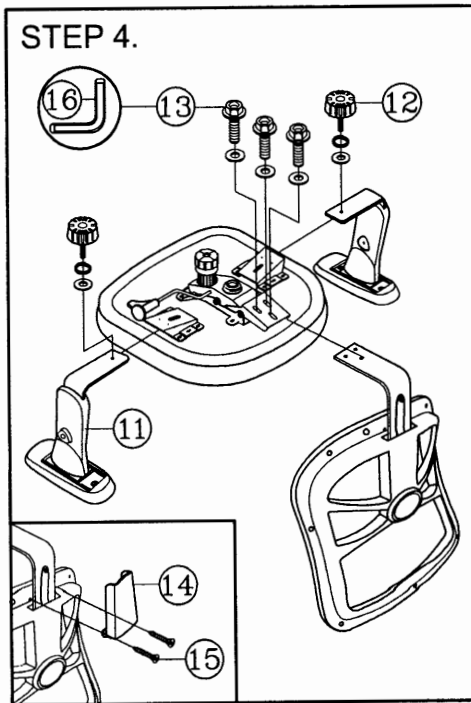
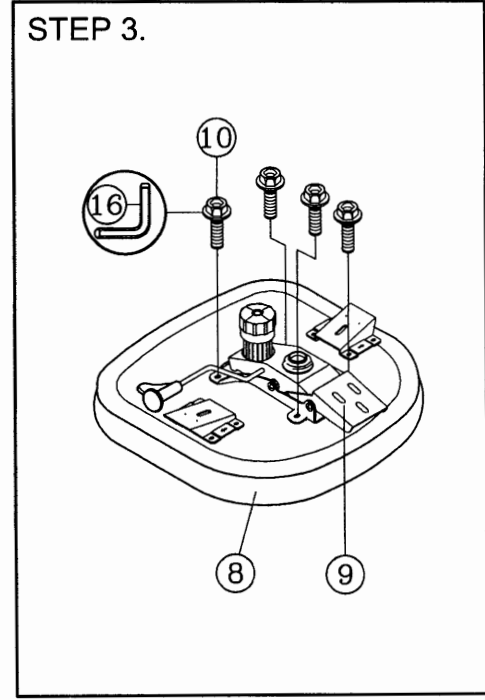
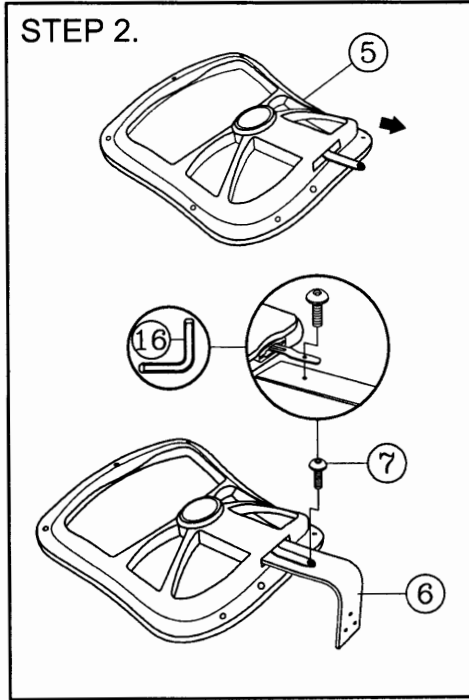
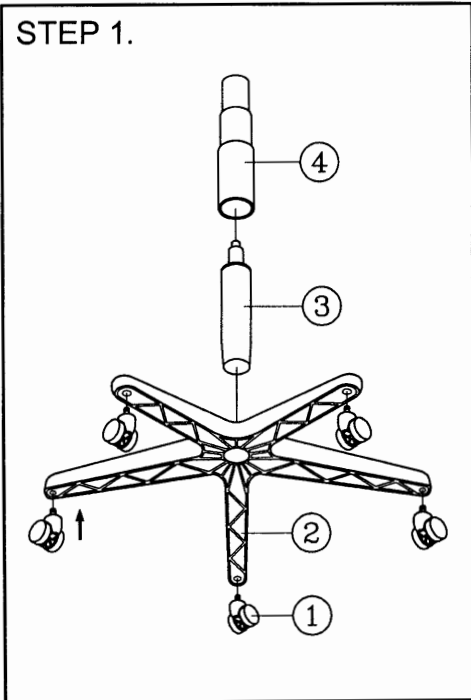


Remove all items from the carton . Verify all pieces before assembly.

## PART LIST

KEY QTY	DESCRIPTION	KEY QTY	DESCRIPTION	KEY QTY	DESCRIPTION
1	5 Caster	8	1 Seat	14	2 Backrest Post Bellow Screw
2	1 Base	9	1 Mechanism	15	3 Mechanism Bracket Screw + Washer
3	1 Seat Post	10	4 Mechanism Screw	16	1 Allen Wrench
4	1 Seat Post Cover	11	2 Armrest		
5	1 Backrest	12	2 Arm Width Adjustment Knob + Washers		
6	1 Backrest Post	13	1 Backrest Post Bellow		
7	1 Backrest Screw				



**PREVENTIVE MAINTENANCE AND WARNING!**

- USE THIS PRODUCT ONLY FOR SEATING ONE PERSON AT A TIME.
- DO NOT USE THIS CHAIR AS A STEP STOOL / LADDER.
- DO NOT SIT ON ANY PART OF THE CHAIR EXCEPT THE SEAT.
- DO NOT USE CHAIR ON UNEVEN FLOOR SURFACES.
- DO NOT USE CHAIR UNLESS ALL BOLTS, SCREWS AND KNOBS ARE TIGHTENED.
- EVERY SIX MONTHS, PLEASE MAKE SURE ALL BOLTS, SCREWS AND KNOBS ARE FULLY TIGHTENED TO ENSURE STABILITY.
- IF ANY PARTS ARE MISSING, BROKEN, DAMAGED OR WORN, STOP USE OF THE PRODUCT UNTIL REPAIRS ARE MADE USING FACTORY AUTHORIZED PARTS.
- DISPOSE OF PACKAGING PROPERLY. PLASTIC BAG IS NOT A TOY. DO NOT USE PLASTIC BAG AS HEAD COVERING - IT MAY CAUSE SUFFOCATION.
- FAILURE TO FOLLOW THESE WARNINGS COULD RESULT IN SERIOUS INJURY.