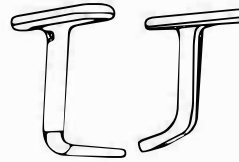


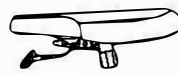
A (1pc)



B (2pcs)



C (5pcs)



D (1pc)



E (1pc)



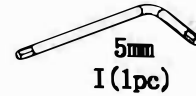
F (1pc)



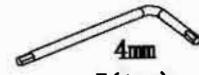
M8x25  
G (3pcs)



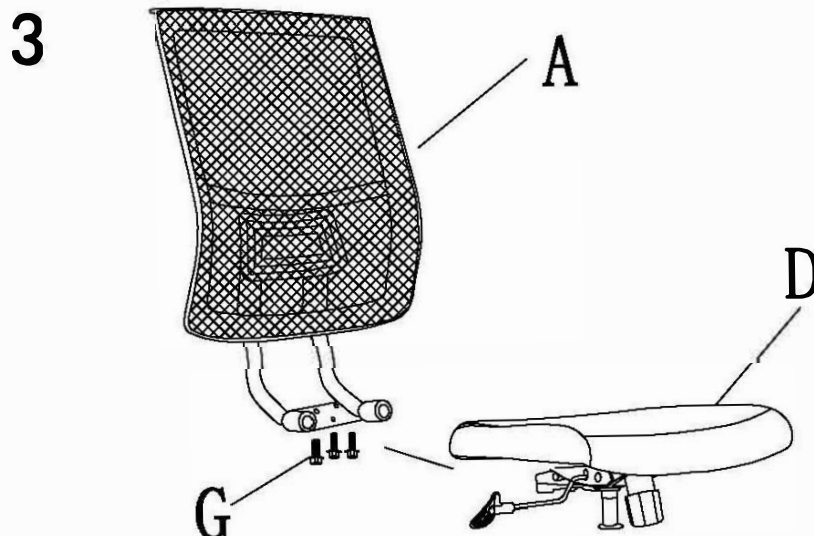
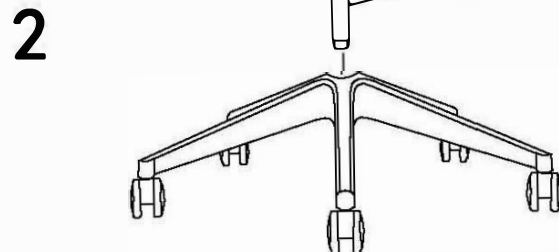
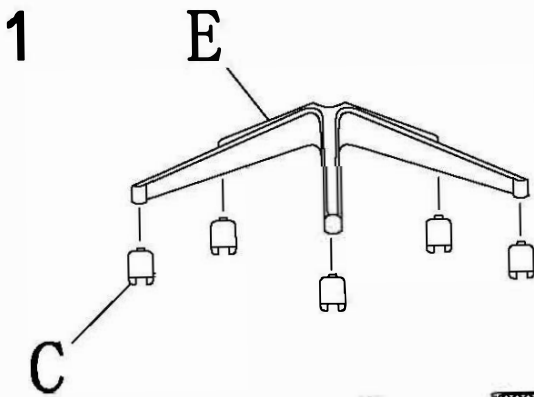
M6x30  
H (6pcs)

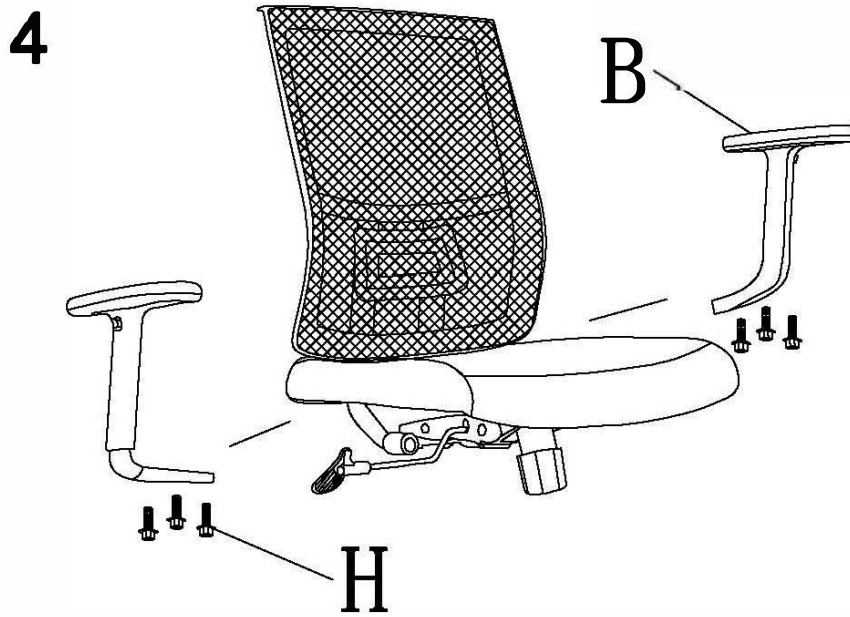


5mm  
I (1pc)



4mm  
J (1pc)





**5**

